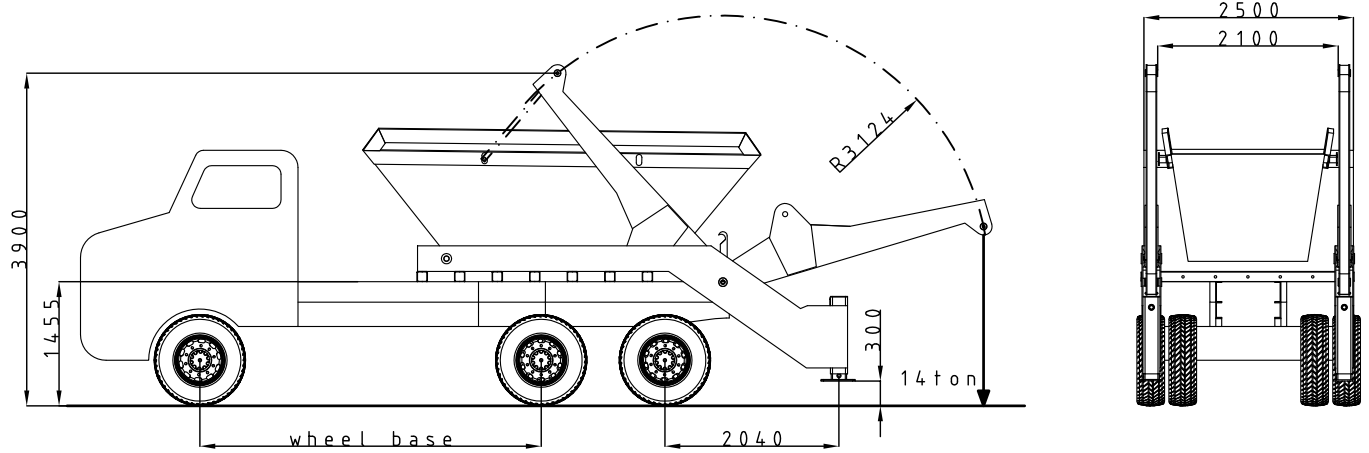


# H.ATLAS

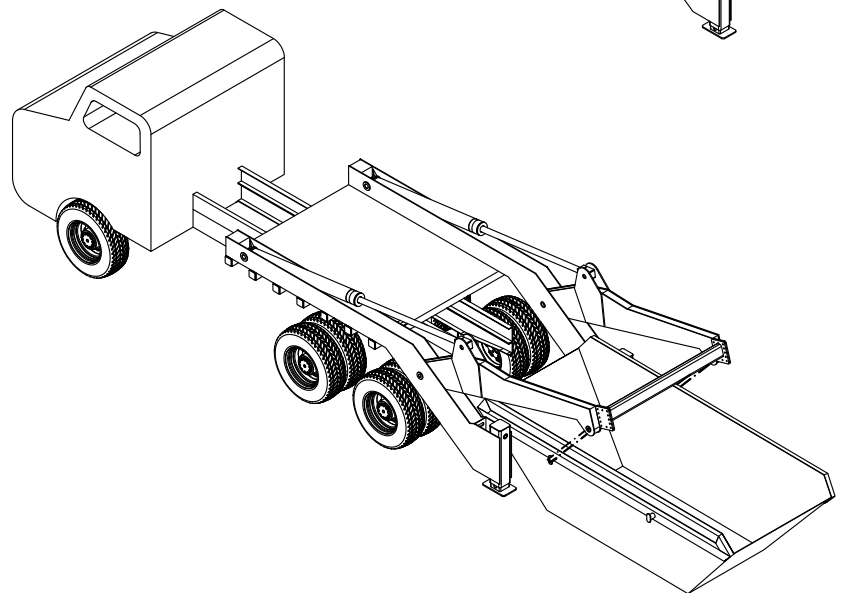
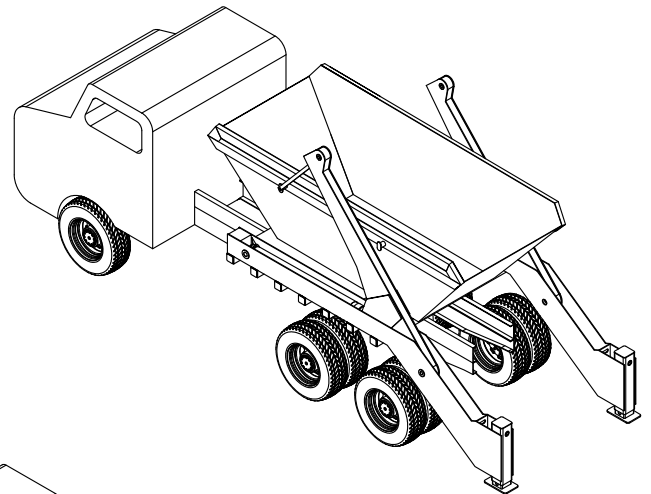
set-down skip loader

TYPE ASK 14 T



## Technical data:

Max load Capacity:	14000 Kg
Superstructure Weight	4000 Kg
Oil flow required	80 l/Min
Operation pressure	280 bar
Oil tank capacity	75 l
Seal	Simrit



**HYDRO ATLAS CO.**

EMAM KHOMINI ST. CAVEH IND.

CITY SAVEH IRAN

TEL. 08642343460 fax. 08642342179

This document was created with Win2PDF available at <http://www.daneprairie.com>.  
The unregistered version of Win2PDF is for evaluation or non-commercial use only.