

# ATLAS

## Crawler excavator 340LC

### Technical Information

#### Engine

Power rating according to ISO 9249	180 kW (245 PS)
Make/ Model	Deutz TCD 6.1 L6 (Stage 3B)
RPM	1800/min
Design	Turbocharger/Charge Air cooling
Displacement	7100 cm <sup>3</sup>
Cooling system	water cooled

#### Hydraulics

Computer controlled AWE4 system with two adjustable high-performance piston pumps and fuel efficient power control for sensitive, proportional and load-independent control of all operating movements. Primary and secondary protection of the hydraulic unit against overloading. Suction valve for all operating functions like throttling in lifting system. Load retaining - and fine lowering valves in Lifting circuit

Hydraulic system	2 x AKP
Main pump	HPR 160 / 160
Output max.	320 / 320 l/min
Operating pressure max.	320 / 380 bar

#### Standard Basic Equipment

Central lubrication device for swing assembly and boom (Electric pump), two-stage tractive drives, tank data, main circuit breaker of the battery in negative cable, automatic idling system (Diesel motor), pressure control (lifting cylinder), pressure accumulator for emergency arm lowering, window wash device, comfortable seats with arm rests, lumbar support, tool box in uppercarriage. Sliding window in the cabin's door, ready for radio connection and combined lubricating points. Grab/ grab rotating function (NW 16).

#### Noise level

2000/14EG (L <sub>w</sub> A) ambience level	103 dB (A)
ISO 6396 (L <sub>p</sub> A) in driver's cab	70 dB (A)

#### Electrical data

Operating voltage	24 Volt
Cold start-/heavy duty battery	2 x 143 Ah

#### Control

Joystick control with perfectly adjusted response and sensitivity. (SAE recommendation). manual lever control for forward-, backward-, curve drive and rear drive of the chain. Foot pedal for forward and backward drive. Option "Drive" on the foot pedal valve cradle (ISO-Steering).

#### Filling quantities

Fuel tank	425 l
Hydraulic tank	505 l
Motor oil	21 l



#### Cabin

• Meets latest safety standards • Extra large entry zone • Spacious leg room • Excellent circumferential visibility • Preparation for radio installation with mute function **DRIVER'S SEAT:** • Air-cushioned comfort seat (optional seat heating) • Arm rests and lumbar support • Seat adjustable separately from console **CONTROL:** • Ergonomic joysticks with proportional slide control • Indicators, controls and operating switches are clearly arranged. **CLIMATE CONTROL:** • Air conditioning equipped as standard.

Type	Atlas Comfort Cabin 935
Total length	1760 mm
Width	935 mm

#### Slewing gear

Swing motor	Axial piston motor with priority valve
Swing gear	Planetary transmission
Swing brake*	Multidisc brake
Drive on internal clogged slewing ring	
Superstructure max. RPM	8,7/min
Swing torque	93,4 kNm
* easy swing on slopes, with lockable foot pedal, exceeding pressures of 120 bars.	

#### Speed

Stage 1	max. 0-2,6 km/h
Stage 2	max. 0-5,3 km/h

#### Undercarriage

Complete heavy duty undercarriage in X-design. Crawler unit with asymmetric roof profile and integrated traction drive with planetary transmission. Automatic hydraulic controlled brakes and brake valve. Track guided by rollers and idler unit. Chain tensioner through greasing cylinder, spring loaded. Lubricated sealed chain, drive quality D6C, track 2600 mm, 4800 mm long, 600 mm track chain.

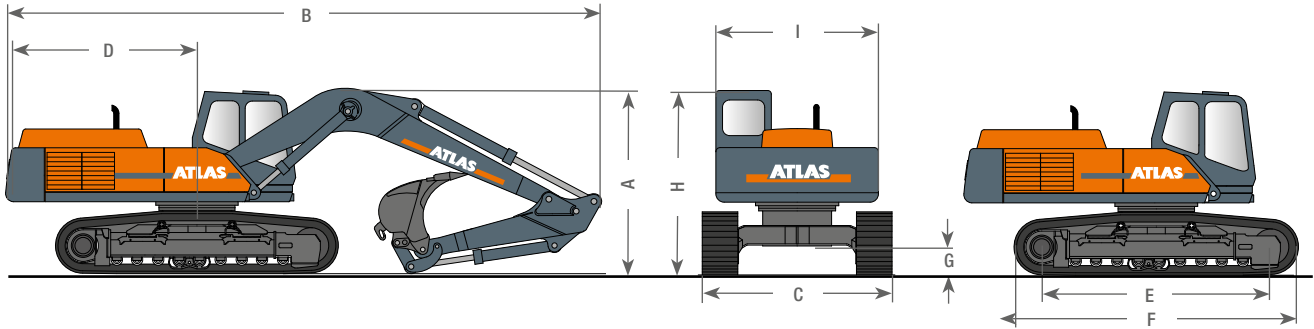
#### Weight

Operating weight	30,5 - 35,5 t
------------------	---------------

# ATLAS

## Main dimensions

340LC Transport position



<b>A</b>	<b>TRANSPORT HEIGHT</b>		<b>B</b>	<b>TRANSPORT LENGTH</b>	
	Monoblock, 5,57 m (C84.3M), 2,30 m (D84.2)	3,25 m		Monoblock, 5,57 m (C84.3M), 2,30 m (D84.2)	10,17 m
	Monoblock, 5,57 m (C84.3M), 2,80 m (D84.3)	3,30 m		Monoblock, 5,57 m (C84.3M), 2,80 m (D84.3)	10,19 m
	Monoblock, 6,50 m (C84.5M), 2,30 m (D84.2)	3,35 m		Monoblock, 6,50 m (C84.5M), 2,30 m (D84.2)	11,11 m
	Monoblock, 6,50 m (C84.5M), 2,80 m (D84.3)	3,45 m		Monoblock, 6,50 m (C84.5M), 2,80 m (D84.3)	11,12 m
<b>C</b>	<b>TRANSPORT WIDTH WHEEL</b>	TRACK 2,60 m	<b>F</b>	<b>RANGE</b>	4,82 m
	Base plate width 600 mm	3,20 m	<b>G</b>	<b>GROUND CLEARANCE</b>	0,46 m
<b>D</b>	<b>REAR SWIVEL RADIUS</b>	3,30 m	<b>H</b>	<b>HEIGHT OVER CABIN</b>	3,11 m
<b>E</b>	<b>BEARING CHAIN LENGTH</b>	3,89 m	<b>I</b>	<b>SUPERSTRUCTURE WIDTH</b>	2,74 m

Design changes reserved, data not binding. Devices comply with the new European safety regulations.

## Equipment

### Basic unit

<b>A 84.81</b>	Atlas hydraulic crawler excavator 340LC with continuous rotating uppercarriage, with Atlas-Cabine 935, air conditioner swing radius 3300 mm. Counterweight 6,4 t, 2,60 m track 600 mm chain.
----------------	--

### Drive option

<b>4562416</b>	LC-track chain undercarriage with 3400 mm track, length of all 4800 mm, D6C Quality
	For other drive options see price lists.

### Additional and special designs

<b>B 84.81</b>	Pipe break protection valves for lifting cylinders
<b>B 84.20</b>	Special counter weight 8200 kg, swing radius 3400 mm

### Boom variants

<b>C 84.3 M</b>	Monoblock boom with two lifting cylinders, one stick cylinder (length 5570 mm)
<b>C 84.5 M</b>	Monoblock boom with two lifting cylinders, one stick cylinder, bucket cylinder (length 6500 mm)
<b>C 84.41</b>	Base arm with one operating cylinder for C 84.46
<b>C 84.46</b>	Boom, with stick cylinder, suitable for base arm C 84.41 (length 5300 mm)
<b>C 84.5 i</b>	Monoblock boom for material handling with two lifting cylinders, with a length of 8700 mm (for crawler- excavator with 3400 mm track)

Other boom combinations Monoblock and material handling booms see price list.

### Stick

<b>D 84.2</b>	Stick suitable for monoblock boom, (length 2300 mm)
<b>D 84.3</b>	Stick suitable for monoblock boom, (length 2800 mm)
<b>D 84.5</b>	Stick suitable for monoblock boom, (length 3500 mm)
<b>D 84.31</b>	Stick suitable for foldable boom, (length 3500 mm)
<b>D 84.51</b>	Stick suitable for foldable boom, (length 4500 mm)
<b>D 84.55</b>	Stick suitable for foldable boom, - F63.1 control lever required! (length 6400 mm)
<b>D 84.16 i</b>	Stick, suitable for Monoblock C 84.5 i und C 84.6 i (length 6900 mm)
<b>D 84.17 i</b>	Stick, suitable for Monoblock C 84.5 i and C 84.7 i (length 7750 mm)

### Bucket tilt cylinder

<b>F 84.1</b>	Bucket tilt cylinder, with bucket linkage
<b>F 63.1</b>	Bucket tilt cylinder with bucket linkage for D 84.55

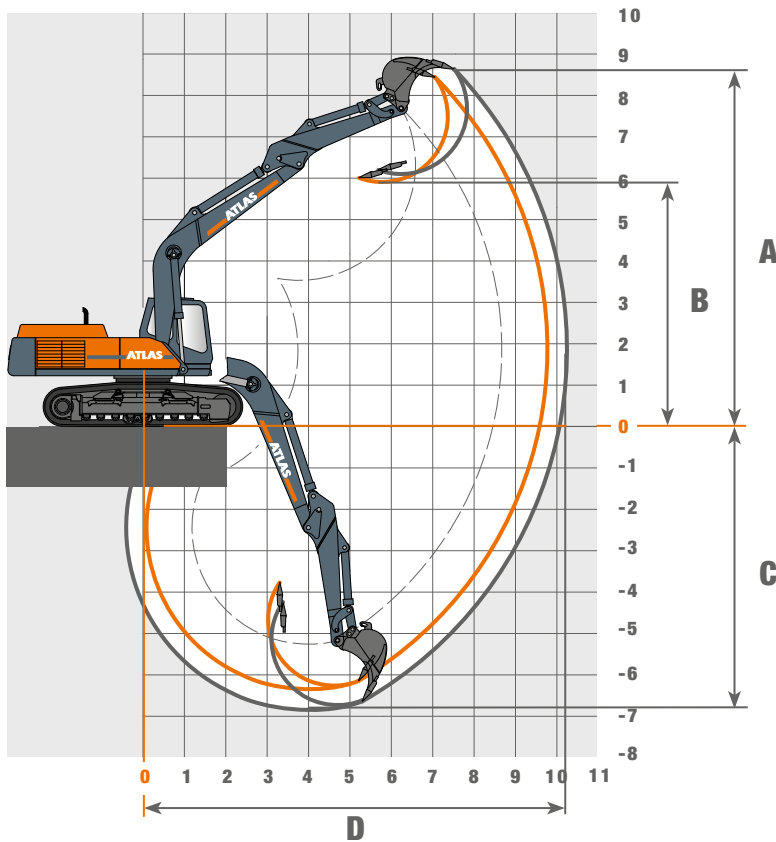
### Attachments

		Capacity (SAE)	Cutting width
<b>F 748</b>	Bucket	1,26 m <sup>3</sup>	1300 mm
<b>F 718/HD</b>	Bucket	1,50 m <sup>3</sup>	1500 mm
<b>G 83.86</b>	Trenching bucket	1,60 m <sup>3</sup>	2000 mm
<b>E 851</b>	Orange peel grab	0,80 m <sup>3</sup>	half closed

**Working ranges Monoblock boom**

**Equipment**

**C84.3 M, length 5570 mm**



**Stick D 84.2 - Length 2300 mm**

Equipment: A 84.81, C 84.3 M, D 84.2, F 849

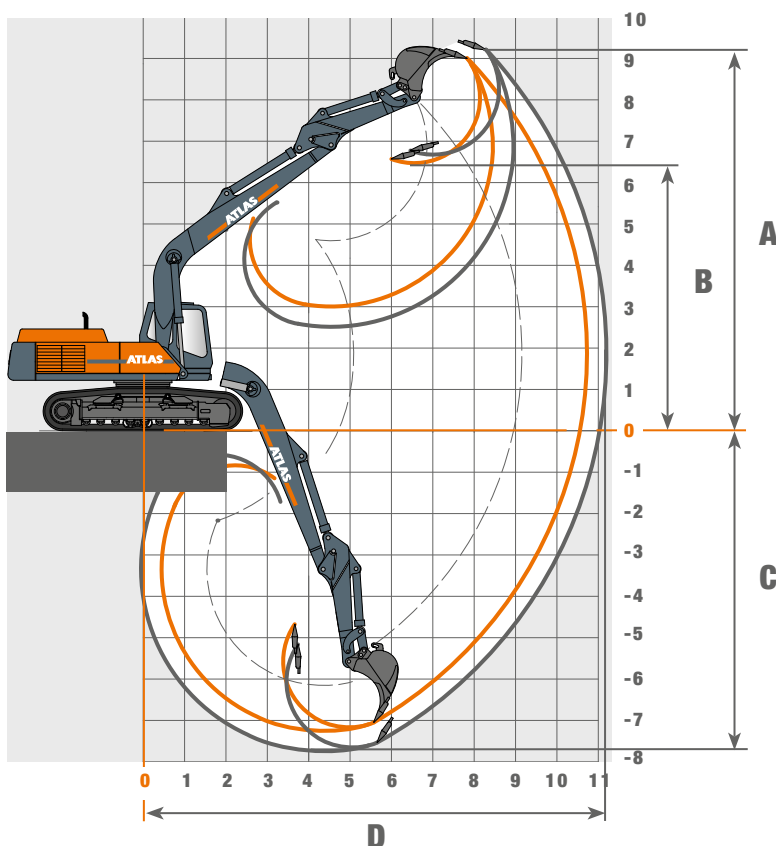
			Dipper
A	Max. lifting height	mm	8439
B	Max. dump height	mm	6150
C	Max. Digging depth	mm	6349
D	Max. reach	mm	9776
	Max. reach over ground level	mm	9626
	Breakout force	kN	175,7
	Tear-out force	kN	134

**Stick D 84.3 - Length 2800 mm**

Equipment: A 84.81, C 84.3 M, D 84.3, F 849

			Dipper
A	Max. lifting height	mm	8550
B	Max. dump height	mm	5950
C	Max. Digging depth	mm	6900
D	Max. reach	mm	10250
	Max. reach over ground level	mm	10100
	Breakout force	kN	175,7
	Tear-out force	kN	119

**C84.5 M, length 6500 mm**



**Stick D 84.2 - Length 2300 mm**

Equipment: A 84.81, C 84.5 M, D 84.2, F 849

			Dipper
A	Max. lifting height	mm	9010
B	Max. dump height	mm	6450
C	Max. Digging depth	mm	7245
D	Max. reach	mm	10730
	Max. reach over ground level	mm	10530
	Breakout force	kN	175,7
	Tear-out force	kN	134

**Stick D 84.3 - Length 2800 mm**

Equipment: A 84.81, C 84.5 M, D 84.3, F 849

			Dipper
A	Max. lifting height	mm	9210
B	Max. dump height	mm	
C	Max. Digging depth	mm	7774
D	Max. reach	mm	11200
	Max. reach over ground level	mm	11000
	Breakout force	kN	175,7
	Tear-out force	kN	119

# ATLAS

## Lifting capacities

Heights	2,5 m		3,0 m		3,5 m		4,0 m		4,5 m		5,0 m		6,0 m		7,0 m		8,0 m		8,5 m	
	LENGTHS	LATERAL	LENGTHS	LATERAL	LENGTHS	LATERAL	LENGTHS	LATERAL	LENGTHS	LATERAL	LENGTHS	LATERAL	LENGTHS	LATERAL	LENGTHS	LATERAL	LENGTHS	LATERAL	LENGTHS	LATERAL
<b>Monoblock boom 5,57 m (C84.3M) with Stick 2,30 m (D84.2). Wheel base 2600 mm. Max. Reach 9,80 m</b>																				
+ 4,5 m	-	-	-	-	-	-	14931	13992*	12708	11822*	11248	10183*	8167	8167	7745	6502*	-	-	-	-
+ 3,0 m	-	-	-	-	-	-	13790	13279*	15233	11258*	15233	11258*	10276	7610*	9221	6179*	7195	5230*	-	-
+ 1,5 m	-	-	-	-	-	-	18458	13122*	16112	11029*	16112	11029*	11510	7433*	9552*	6060*	7965*	5145*	-	-
+ 0 m	-	-	-	-	11215	11215	17893	16553*	15972	13351*	14325	11170*	14325	11170	10443	7488*	-	-	-	-
- 1,5 m	-	-	18095	18095	20066	16339*	17772	13175*	15794	11029*	15794	11029*	11551	7384*	9530*	6040*	-	-	-	-
- 3,0 m	-	-	20171	20171	17893	16553*	15972	13351*	14325	11170*	14325	11170	10443	7488*	-	-	-	-	-	-
<b>Monoblock boom 5,57 m (C84.3M) with Stick 2,80 m (D84.3). Wheel base 2600 mm. Max. Reach 10,25 m</b>																				
+ 6,0 m	-	-	-	-	-	-	-	-	-	-	-	-	-	-	6919	6724*	-	-	-	-
+ 4,5 m	-	-	-	-	-	-	-	-	-	-	-	-	-	-	8045	6450*	6447	5416	-	-
+ 3,0 m	-	-	-	-	16089	16089	13359	13359	11631	11631	10440	10362*	8927	8010	8045	6450*	7535	5330*	-	-
+ 1,5 m	-	-	-	-	17009	13433	14456	11382*	12653	9846*	10324	7693*	8932	6251*	8040*	5212*	6744	4792*	-	-
+ 0 m	-	-	-	-	13653	13653	18334	13083*	15871	11036*	13967	9536*	11309	7468*	9596*	6098*	7938*	5121*	-	-
- 1,5 m	-	-	-	-	20819	16138*	18149	15087*	15087	10955*	14231	9433*	11615	7371*	9523*	6033*	-	-	-	-
- 3,0 m	-	-	21831	21360*	19043	16336*	16813	13199*	14981	11060	13448	9511*	11003	7427*	-	-	-	-	-	-
- 4,5 m	20127	20127	17475	17475	15417	15417	13714	13527*	12232	11345	10873	9775*	-	-	-	-	-	-	-	-
<b>Monoblock boom 6,50 m (C84.5M) with Stick 2,30 m (D84.2). Wheel base 2600 mm. Max. Reach 10,73 m</b>																				
+ 7,5 m	-	-	-	-	-	-	-	-	-	-	-	-	-	-	6912	6502*	-	-	-	-
+ 6,0 m	-	-	-	-	-	-	-	-	-	-	-	-	-	-	6761	6518*	6723	5257	-	-
+ 4,5 m	-	-	-	-	-	-	-	-	10841	10841	9655	9655	8192	7911	7346	6339*	6853	5203	6736	4733
+ 3,0 m	-	-	-	-	-	-	-	-	-	-	12020	9556	9537	7516*	8163	6099*	7317	5064*	7026	4641
+ 1,5 m	-	-	-	-	-	-	-	-	-	-	-	-	10627	7194*	8904	5882*	7736*	4923*	7093*	4532*
+ 0 m	-	-	-	-	-	-	-	-	-	-	13704	8973*	11125	7018*	9212*	5739*	7626*	4823*	7009*	4455*
- 1,5 m	-	-	-	-	-	-	13225	12646*	14572	10510*	13276	8996*	11024	6982*	9162*	5695*	7604*	4803*	7021*	4466*
- 3,0 m	-	-	16968	16968	15789	15789	14553	12774*	13350	10640*	12227	9106	10268	7056*	8614	5762*	-	-	-	-
- 4,5 m	15427	15427	16968	14193	13075	13075	12035	12035	11054	10896*	10119	9339*	8265	7276*	-	-	-	-	-	-
<b>Monoblock boom 6,50 m (C84.5M) with Stick 2,80 m (D84.3). Wheel base 2600 mm. Max. Reach 11,20 m</b>																				
+ 7,5 m	-	-	-	-	-	-	-	-	-	-	-	-	-	-	-	-	6238	5418*	-	-
+ 6,0 m	-	-	-	-	-	-	-	-	-	-	-	-	-	-	6988	6464*	6544	5313*	6300	4984*
+ 4,5 m	-	-	-	-	-	-	-	-	-	-	11204	9763	9080	7643*	7851	6197*	7075	5148*	6406	4847*
+ 3,0 m	-	-	-	-	-	-	-	-	-	-	12980	9198*	10293	7267*	8673	6945*	7618	4981*	6798	4723*
+ 1,5 m	-	-	-	-	-	-	-	-	-	-	13632	8951*	10988	7036*	9220	5768*	7662*	4855*	7157*	4590*
+ 0 m	-	-	-	-	-	-	10420	10420	13670	12425*	14989	10379*	13488	8915*	11092	6951*	9153*	5686*	7601*	4800*
- 1,5 m	-	-	-	-	-	-	17096	15632*	15437	12572	13975	10497	12694	9001*	10590	6996*	8943	5720*	7505	4856*
- 3,0 m	-	-	16176	16176	14588	14588	13240	12845	12060	10731	11008	9205*	9161	7166	7327	5911*	-	-	-	-
- 4,5 m	-	-	-	-	-	-	-	-	-	-	-	-	-	-	-	-	-	-	-	-
<b>Monoblock boom 5,57 m (C84.3M) with Stick 2,30 m (D84.2). Wheel base 2400 mm. Max. Reach 9,80 m</b>																				
+ 4,5 m	-	-	-	-	-	-	14931	12723*	12708	10811*	-	-	8167	7548*	7745	6019*	-	-	-	-
+ 3,0 m	-	-	-	-	-	-	13790	12035*	15233	10264*	13260	8918*	8942	7271*	8440	5867*	7195	4836	-	-
+ 1,5 m	-	-	-	-	-	-	18458	11883*	16112	10042*	14219	8695*	11510	6829*	9552*	5584*	7965*	4753*	-	-
+ 0 m	-	-	-	-	11215	11215	17893	14896*	15972	12105*	14325	10179*	12893	8775*	10443	6883*	-	-	-	-
- 1,5 m	-	-	18095	18095	20066	14692*	17772	11935*	15794	10042*	14127	8661*	11551	6781*	9530*	5564*	-	-	-	-
- 3,0 m	-	-	20171	19281*	17893	14896*	15972	12105*	14325	10179*	12893	8775*	10443	6883*	-	-	-	-	-	-
- 4,5 m	20127	20127	17475	17475	15417	15665*	13714	12274*	12232	10348*	10873	9500*	-	-	-	-	-	-	-	-
<b>Monoblock boom 5,57 m (C84.3M) with Stick 2,80 m (D84.3). Wheel base 2400 mm. Max. Reach 10,25 m</b>																				
+ 6,0 m	-	-	-	-	-	-	-	-	-	-	-	-	-	-	6919	6237*	-	-	-	-
+ 4,5 m	-	-	-	-	-	-	-	-	-	-	-	-	-	-	7253	6148*	6447	5019	-	-
+ 3,0 m	-	-	-	-	16089	15820	13359	13043	11631	11035*	10440	9522*	8927	7394*	8045	5967*	7535	4934	-	-
+ 1,5 m	-	-	-	-	17009	12183*	14456	10384*	12653	9020*	10324	7084*	8932	5771*	8040*	4819*	6744	4431*	-	-
+ 0 m	-	-	-	-	13653	13653	18334	11846*	15871	10048*	13967	8718*	11309	6863*	9596*	5621*	7938*	7938*	-	-
- 1,5 m	-	-	-	-	20819	14499	18149	11816	15987	9970*	14231	8618*	11615	6768*	9523*	5556*	-	-	-	-
- 3,0 m	-	-	21831	18975*	19043	14689	16813	11958*	14981	10071*	13448	8693*	11003	6823*	-	-	-	-	-	-
- 4,5 m	20127	20127	17475	17475	15417	15665*	13714	12274*	12232	10348*	10873	9500*	-	-	-	-	-	-	-	-
<b>Monoblock boom 6,50 m (C84.5M) with Stick 2,30 m (D84.2). Wheel base 2400 mm. Max. Reach 10,73 m</b>																				
+ 7,5 m	-	-	-	-	-	-	-	-	-	-	-	-	-	-	6912	6015*	-	-	-	-
+ 6,0 m	-	-	-	-	-	-	-	-	-	-	-	-	-	-	6761	6032*	6723	4861*	-	-
+ 4,5 m	-	-	-	-	-	-	-	-	10841	10841	9655	9422*	8192	7293*	7346	5855*	6853	4808*	6736	4371*
+ 3,0 m	-	-	-	-	-	-	-	-	-	-	12020	8733*	9537	6907*	8163	5620*	7317	4670*	7026	4280*
+ 1,5 m	-	-	-	-	-	-	-	-	-	-	-	-	10627	6591*	8904	5406*	7736*	4531*	7093*	4173*
+ 0 m	-	-	-	-	-	-	-	-	-	-	13704	8165*	11125	6420*	9212*	5266*	7626*	4433*	7009*	4097*
- 1,5 m	-	-	-	-	-	-	13225	11418*	14572	9533*	13276	8187*	11024	6384*	9162*	5223*	7604*	4413*	7021*	4108*
- 3,0 m	-	-	16968	16968	15789	14287	14553	11542*	13350	9660*	12227	8295*	10268	6457*	8614	5289*	-	-	-	-
- 4,5 m	15427	15427	14193	14193	13075	13075	12035	11814*	11054	9908*	10119	8522*	8265	6672*	-	-	-	-	-	-
<b>Monoblock boom 6,50 m (C84.5M) with Stick 2,80 m (D84.3). Spurweite 2400 mm. Max. Reach 11,20 m</b>																				
+ 7,5 m	-	-	-	-	-	-	-	-	-	-	-	-	-	-	-	-	6238	5018*	6300	4529*
+ 6,0 m	-	-	-	-	-	-	-	-	-	-	-	-	-	-	6988	5978*	6544	4916*	6406	4483*
+ 4,5 m	-	-	-	-	-	-	-	-	-	-	11204	8934*	9080	7031*	7851	5715*	7075	4753*	6798	4381*
+ 3,0 m	-	-	-	-	-	-	-	-	-	-	12980	8384*	10293	6663*	8673	5468*	7618	4589*	7157*	4229*
+ 1,5 m	-	-	-	-	-	-	-	-	-	-	13632	8144*	10988	6437*	9220	5294*	7662*	4464*	7045*	4128*
+ 0 m	-	-	-	-	-	-	10420	10420	13670	11206*	14989	9406*	13488	8108*	11092	6354*	9153*	5213*	7601*	4410*
- 1,5 m	-	-	-	-	-	-	17096	14008*	15437	11348*	13975	9520*	12694	8192*	10590	6398*	8943	5247*	7505	4465*
- 3,0 m	-	-	-	-	-	-	14588	14312*	13240	11611*	12060	9748*	11008	8391*	9161	6564*	7327	5434*	-	-
- 4,5 m	-	-	-	-	-	-	-	-	-	-	-	-	-	-	-	-	-	-	-	-

The specified max. loading capacities in kilogrammes include a stability of 33% or are calculated at 87% of the hydraulic lifting power, as per ISO10567. These values are applicable at the tip of the arm with optimum positioning of the corresponding arm system. \* Value limited due to hydraulics.

[www.atlasgmbh.com](http://www.atlasgmbh.com)

**ATLAS Maschinen GmbH**

EXCAVATORS

Atlasstrasse 6

27777 Ganderkesee, Germany

T: +49 (0) 4222 954 0

F: +49 (0) 4222 954 343

info@atlasgmbh.com

340LC-EN (1) Effective date: August 2010. Product specifications and prices are subject to change without notice or obligation. The photographs and/or drawings in this document are for illustrative purposes only. Refer to the appropriate Operator's Manual for instructions on the proper use of this equipment. Failure to follow the appropriate Operator's Manual when using our equipment or to otherwise act irresponsibly may result in serious injury or death. The only warranty applicable to our equipment is the standard written warranty applicable to the particular product and sale and Atlas makes no other warranty, express or implied. The only warranty applicable to our equipment is the standard written warranty applicable to the particular product and sale and Atlas makes no other warranty, express or implied. Products and services listed may be trademarks, service marks or trade-names of Atlas Maschinen GmbH and/or its subsidiaries. All rights are reserved. Atlas® is a registered trademark of Atlas Maschinen GmbH. Copyright © 2010 Atlas Maschinen GmbH.