

# ATLAS

SINCE 1919

**STABLE.  
STRONG.  
STEADY.**

-  18.9 - 20.8 t
-  116 kW (158 HP)
-  0.76 - 1.3 m<sup>3</sup>



## **WHEELED EXCAVATOR 190W**

[WWW.ATLASGMBH.COM](http://WWW.ATLASGMBH.COM)

# TECHNICAL SPECIFICATION 190W

## Technical specifications

### ENGINE

Power rating acc. to ISO 9249...116 kW (158 HP)	Displacement.....6700 cm <sup>3</sup>	Battery ..... 2 x 12 V / 100 Ah
RPM .....1800/min	Number of cylinders ..... 6	Generator ..... 24 V / 70 A
Make / model ..... Cummins QSB 6.7 (Tier4 F)	Cooling system .....Water-cooled	Starter..... 24 V / 3.2 kW
Design..... Turbocharger/charge-air cooling	Air filter.....Dry air filter	

### HYDRAULIC SYSTEM

• Load limit controlled high-performance pump	• Suction valves for all work functions	• Pipe break protection valves for lifting and articulated cylinders
• Load Sensing hydraulic system	• Load-retaining and fine lowering valves in lifting circuit	• 2 additional circuits for additional consumer loads possible
• 7 consumer loads in one valve block equipped as standard	• Pump flow control	• Max. oil flow.....380 l/min
• Sensitive, proportional, independent control	• Proportional grab/grab rotating function	• Max. operating pressure .....340 (370)* bar
• Primary and secondary protection against overload	• Fuel-efficient flow-on-demand control	• Operating modes: 3 pre-programmed modes (Fine, Eco, Power)

### SWING ASSEMBLY

• Swing motor:	Axial piston motor with priority valve	• Max. swing speed .....11/min
• Swing gear:	Planetary transmission	• Swing torque ..... 63.2 kNm
• Swing brake:	Automatically controlled multi-disc brake	

### TRACTION DRIVE AND BRAKES

• Variable displacement motor	• Automotive drive and cruise control	• Tractive force.....91.8 kN
• Power-shift transmission	• Max. speed.....20 km/h	• Max. gradeability.....55 %
• Double-acting brake valve	• Off-road speed .....5 km/h	• Dual-circuit brake system.....Multi-disc
• Travel direction pre-selection via buttons in joystick	• Crawling speed.....1 km/h	• Parking brake .....Multi-disc

### UNDERCARRIAGE

• 40 tons special excavator axles	• 8 tires (twins) ..... 16 PR 10.00 - 20
• Steering axle with automatic oscillating axle locking	

### FILL CAPACITIES

• Fuel tank .....382 litres	• Engine oil.....20 litres	• Hydraulic system.....290 litres
• Cooling system.....42 litres	• Hydraulic tank .....224 litres	• AdBlue <sup>®</sup> tank .....18.9 litres

### DRIVER'S CAB

• Meets latest safety standards	<b>CONTROL:</b> • Ergonomic joysticks with proportional slide control • Slim steering column, height and tilt adjustable • Indicators, controls and operating switches are clearly arranged	<b>CLIMATE CONTROL:</b> • Air conditioning equipped as standard • Excellent air distribution through optimally arranged nozzles
• Extra large entry zone		
• Spacious leg room	<b>MONITORING:</b> • Operating data display screen • Automatic system for monitoring, warning and storage of data	<b>SOUND LEVELS:</b> • ISO 6396 (L <sub>pA</sub> ) in driver's cab ..... 74 dB(A) • 2000/14 EG (L <sub>wA</sub> ) ambience level 102 dB(A)
• Excellent circumferential visibility		
• Preparation for radio installation with mute function		
<b>DRIVER'S SEAT:</b> • Air-cushioned comfort seat (seat heating optional) • Arm rests and lumbar support • Seat adjustable separately from console		

\* values when power boost switched on

# WORKING EQUIPMENT 190W

## Working equipment

### OPERATING WEIGHTS

	MONOBLOCK BOOM 5.68 m (C21.3M)		ADJUSTABLE BOOM Base arm 1.95 m (C21.41) Boom 3.41 m (C21.46)	
	Stick 2.70 m (D21.2)	Stick 3.20 m (D21.3)	Stick 2.15 m (D21.23)	Stick 2.65 m (D21.33)
Support and dozer blade	18.9 t	18.9 t	19.2 t	19.2 t
SDB / outriggers	20.3 t	20.3 t	20.6 t	20.6 t
4 outriggers	20.5 t	20.5 t	20.8 t	20.8 t

Operating weight incl. driver, fuel, lubricants and coolant plus 1.0 ton for attachments

### EQUIPMENT

<b>BASIC UNIT ATLAS 190W</b> (can be combined)		
<ul style="list-style-type: none"> <li>Wheel Excavator 190W with support and dozer blade and 2 lifting cylinders (A19.2)</li> <li>Wheel Excavator 190W with 4x outrigger support and 2 lifting cylinders (A19.32)</li> <li>Wheel Excavator 190W with support and dozer blade on rigid axle, 2x outrigger support on steering axle and 2 lifting cylinders (A19.33)</li> <li>Wheel Excavator 190W with support and dozer blade on steering axle, 2x outrigger support on rigid axle and 2 lifting cylinders (A19.35)</li> </ul>	<p><b>STANDARD EQUIPMENT:</b></p> <p><b>Engine:</b></p> <ul style="list-style-type: none"> <li>Automatic idling system</li> <li>Diesel pre-filter</li> <li>Engine monitoring</li> </ul>	<ul style="list-style-type: none"> <li>Bottle holder</li> <li>Rear area security camera with LCD color monitor</li> <li>Slim steering column, height and tilt adjustable</li> <li>Seat can be adjusted separately from console</li> <li>Heat-absorbing glass, tinted windows</li> <li>Automotive drive and cruise control</li> <li>Operating data display screen</li> </ul>
* SDB = support and dozer blade		
<b>BOOMS:</b>		
<ul style="list-style-type: none"> <li>Monoblock boom with stick cylinder 5.68 m (C21.3M)</li> <li>Adjustable boom consisting of base arm 1.95 m (C21.41) with adjusting cylinder plus boom 3.41 m (C21.46) with stick cylinder</li> </ul>	<p><b>Hydraulic system:</b></p> <ul style="list-style-type: none"> <li>Proportional grab/grab rotating function</li> <li>Accumulator for emergency lowering of boom system</li> <li>Pipe break protection valves for lifting and articulated cylinders</li> <li>Max. load-limit control</li> <li>Cylinder end position damping</li> </ul>	<p><b>EQUIPMENT:</b></p> <ul style="list-style-type: none"> <li>Joint bearings in stick and bucket cylinders</li> <li>Combined lubricating points for swing bearing and arm equipment</li> <li>Spacious and lockable storage space in superstructure</li> </ul>
<b>STICKS:</b>		
<ul style="list-style-type: none"> <li>Stick 2.70 m (D21.2) for monoblock boom</li> <li>Stick 3.20 m (D21.3) for monoblock boom</li> <li>Stick 2.15 m (D21.23) for adjustable boom</li> <li>Stick 2.65 m (D21.33) for adjustable boom</li> </ul>	<p><b>Cab:</b></p> <ul style="list-style-type: none"> <li>Air-conditioning</li> <li>Radio preparation with mute function</li> <li>Ready for electric cooling box</li> <li>Different options for storage, compartment for documents</li> </ul>	<p><b>UNDERCARRIAGE:</b></p> <ul style="list-style-type: none"> <li>Power-shift transmission</li> <li>Wet disc brakes</li> <li>Toolbox in undercarriage</li> </ul>
<b>BUCKET TIPPING CYLINDER:</b>		
<ul style="list-style-type: none"> <li>Bucket tipping cylinder with bucket linkage (F64.1)</li> </ul>		

### ADDITIONAL EQUIPMENT

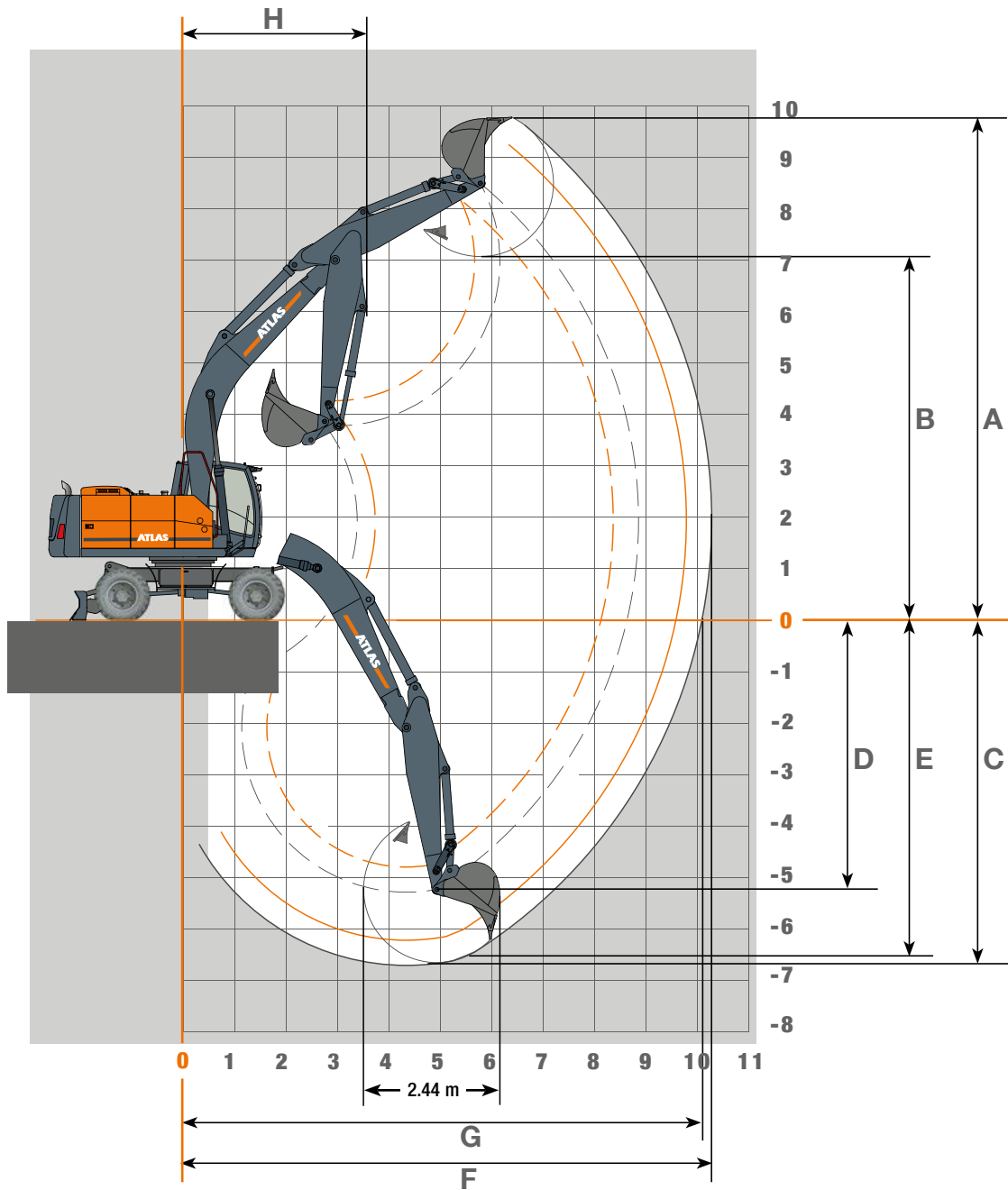
<p><b>Engine:</b></p> <ul style="list-style-type: none"> <li>Refueling pump</li> <li>Engine speed adjustment via potentiometer</li> <li>Auxiliary heating</li> <li>Cold start assistance</li> </ul>	<p><b>Working equipment:</b></p> <ul style="list-style-type: none"> <li>Automatically controlled and monitored electric central lubrication system</li> </ul>	<ul style="list-style-type: none"> <li>Alarm-signal while driving</li> <li>Head rest</li> <li>Proportional operating of supports by slide in joystick</li> <li>Electric cooling box</li> </ul>
<p><b>Hydraulic system:</b></p> <ul style="list-style-type: none"> <li>Hydraulic kit, to operate front and rear supports separately</li> <li>Hydraulic kit, to operate supports per axle separately</li> <li>Biodegradable oil</li> </ul>	<p><b>Cab:</b></p> <ul style="list-style-type: none"> <li>Cab protection guard</li> <li>Beacon light</li> <li>Heated driver's seat</li> <li>Radio CD/MP3, front AUX in, USB</li> <li>Cab elevation</li> <li>GPS/GSM telemetric system for monitoring of operating data, consumption, position</li> <li>LED working lights</li> </ul>	<p><b>Undercarriage:</b></p> <ul style="list-style-type: none"> <li>Wide axles (overall width 2750 mm)</li> <li>Wide dozer blade (2750 mm)</li> <li>High-speed version</li> </ul>
		<b>Further special equipment:</b> See price list

### ATTACHMENTS (SELECTION)

	Bucket F415	Bucket F416	Bucket F417	Bucket F648
Capacity SAE	0.67 m <sup>3</sup>	0.82 m <sup>3</sup>	0.92 m <sup>3</sup>	1.12 m <sup>3</sup>
Cutting width	850 mm	1000 mm	1100 mm	1300 mm

# WORKING RANGES 190W

## Working ranges Monoblock boom 5.68 m (C21.3M)



STICK LENGTHS	2,70 m (D21.2)	3,20 m (D21.3)
A Max. digging height	9,54 m	9,77 m
B Max. dumping height	6,83 m	7,06 m
C Max. digging depth	6,21 m	6,71 m
D Max. vertical wall digging depth	4,20 m	4,65 m
E Max. digging depth of cut for 2.44 m level	5,95 m	6,45 m
F Max. digging reach	9,77 m	10,27 m
G Max. digging reach at ground level	9,30 m	10,10 m
H Min. front swing radius	3,64 m	3,61 m
Max. bucket digging force	132 kN	132 kN
Max. stick digging force	92 kN	82 kN

Unit is equipped with monoblock boom 5.68 m (C21.3M).

# LIFTING CAPACITIES 190W

## Lifting capacities Monoblock boom 5.68 m (C21.3M)

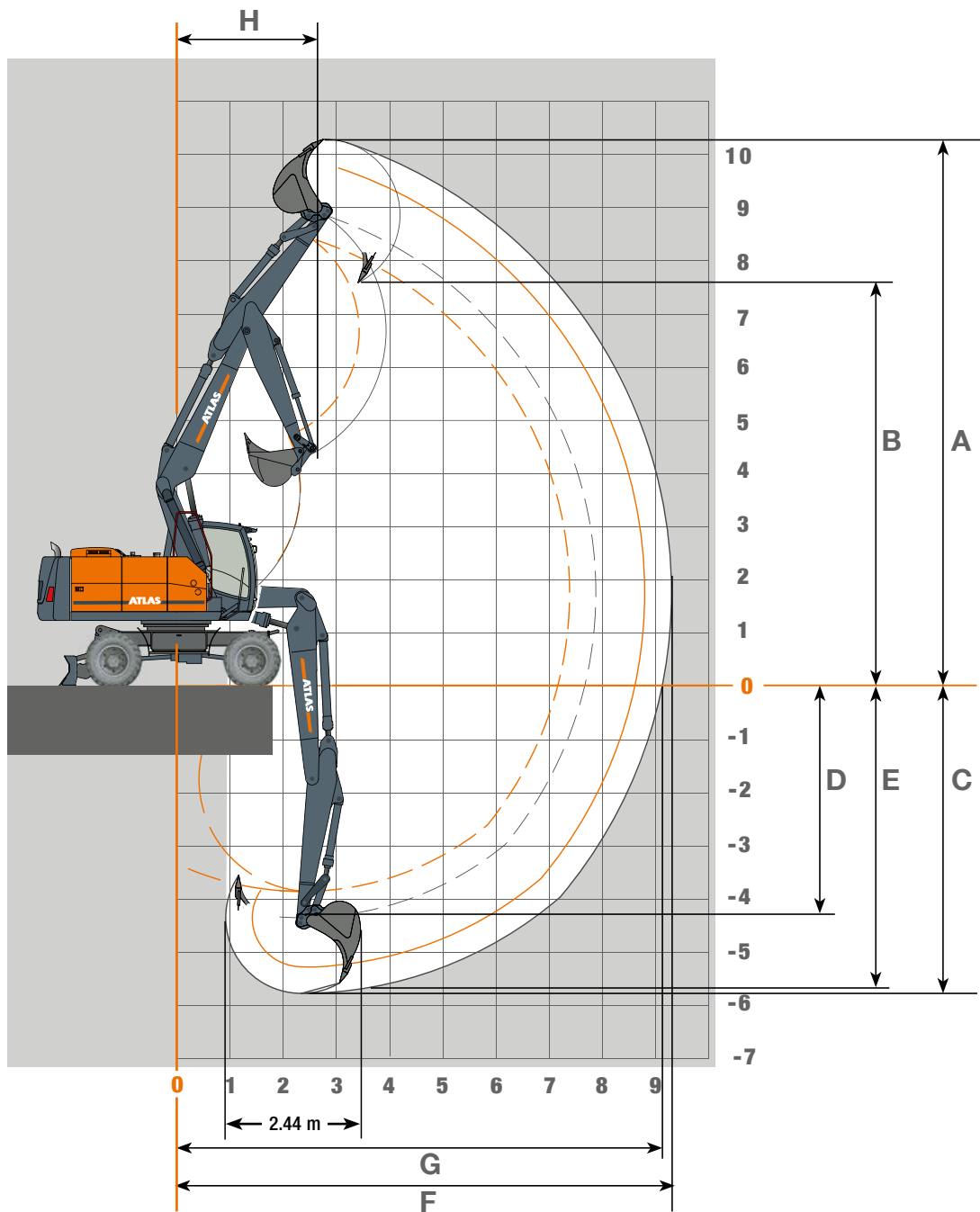
Lifting capacities Monoblock boom 5.68 m (C21.3M) and stick 2.70 m (D21.2). Max reach 9,77 m														
Height	Undercarriage type		3.0 m	3.5 m	4.0 m	4.5 m	5.0 m	5.5 m	6.0 m	6.5 m	7.0 m	7.5 m	8.0 m	8.5 m
+7.5 m	FRONT		SDB rear, supported						5963					
	LATERAL		SDB front, raised						4998*					
+6.0 m	FRONT		SDB supported						3621*					
	LATERAL		SDB raised						3264*					
+4.5 m	FRONT		SDB rear, supported			7787	7255	6841	6515	6255	6052	5766*	5168*	
	LATERAL		SDB front, raised			7554*	6389*	5505*	4811*	4250*	3785*	3390*	3043*	
+3.0 m	FRONT		SDB supported			5298*	4530*	3930*	3448*	3050*	2716*	2427*	2169*	
	LATERAL		SDB raised			4739*	4061*	3527*	3095*	2737*	2434*	2172*	1936*	
+1.5 m	FRONT		SDB rear, supported		11242	9775	8740	7973	7384	6921	6306*	5646*	5093*	
	LATERAL		SDB front, raised		8312*	6962*	5957*	5181*	4564*	4060*	3641*	3285*	2977*	
+0 m	FRONT		SDB supported		5576*	4770*	4139*	3633*	3219*	2874*	2581*	2328*	2106*	
	LATERAL		SDB raised		4917*	4228*	3681*	3237*	2871*	2564*	2302*	2075*	1874*	
-1.5 m	FRONT		SDB rear, supported		8850	11335	9995	8978	7840*	6893*	6135*	5515*	4997*	4557*
	LATERAL		SDB front, raised		7689*	6479*	5581*	4886*	4330*	3874*	3494*	3171*	2893*	2650*
-3.0 m	FRONT		SDB supported		5033*	4341*	3799*	3363*	3003*	2701*	2444*	2221*	2027*	1854*
	LATERAL		SDB raised		4393*	3812*	3350*	2974*	2660*	2395*	2167*	1970*	1796*	1641*
-4.5 m	FRONT		SDB rear, supported		6362	10363	11822	10437*	8838*	7655*	6742*	6015*	5422*	4935*
	LATERAL		SDB front, raised		6362	7491*	6253*	5376*	4705*	4176*	3747*	3391*	3091*	2839*
-5.5 m	FRONT		SDB supported		5900*	4860*	4144*	3614*	3198*	2862*	2583*	2347*	2145*	1975*
	LATERAL		SDB raised		5098*	4227*	3621*	3169*	2813*	2522*	2279*	2072*	1895*	1745*

Lifting capacities Monoblock boom 5.68 m (C21.3M) and stick 3.20 m (D21.3). Max reach 10,27 m															
Height	Undercarriage type		3.0 m	3.5 m	4.0 m	4.5 m	5.0 m	5.5 m	6.0 m	6.5 m	7.0 m	7.5 m	8.0 m	8.5 m	
+7.5 m	FRONT		SDB rear, supported							5237					
	LATERAL		SDB front, raised							4495*					
+6.0 m	FRONT		SDB supported							3277*					
	LATERAL		SDB raised							2959*					
+4.5 m	FRONT		SDB rear, supported							5413	5382	5245			
	LATERAL		SDB front, raised							4482*	3967*	3529*			
+3.0 m	FRONT		SDB supported							3265*	2885*	2557*			
	LATERAL		SDB raised							2947*	2600*	2299*			
+1.5 m	FRONT		SDB rear, supported							6349	6092	5883	5579	5256*	4146
	LATERAL		SDB front, raised							5633*	4916*	4339*	3863*	3463*	2811*
+0 m	FRONT		SDB supported							4044*	3543*	3132*	2788*	2494*	2005*
	LATERAL		SDB raised							3638*	3187*	2817*	2505*	2237*	1790*
-1.5 m	FRONT		SDB rear, supported		12061	10280	9066	8188	7526	7011	6602	6271	5709*	5151*	4676*
	LATERAL		SDB front, raised		10620*	8566*	7139*	6089*	5284*	4647*	4129*	3700*	3337*	3026*	2753*
-3.0 m	FRONT		SDB supported		6966*	5794*	4925*	4256*	3725*	3294*	2937*	2635*	2376*	2150*	1951*
	LATERAL		SDB raised		6117*	5126*	4377*	3794*	3327*	2944*	2625*	2354*	2121*	1917*	1736*
-4.5 m	FRONT		SDB rear, supported												
	LATERAL		SDB front, raised												
-5.5 m	FRONT		SDB supported												
	LATERAL		SDB raised												

The specified max. loading capacities in kilograms (kg) include a stability of 25% or are calculated at 87% of the hydraulic lifting power, as per ISO10567. These values are applicable at the tip of the arm with optimum positioning of the corresponding arm system. Weights of attached load carrying accessories (grab, magnet, load hook, etc.) are not included with the load carrying values. \*Value limited due to excavator stability.

# WORKING RANGES 190W

**Working ranges** Adjustable boom: Base arm 1.95 m (C21.41) and boom 3.41 m (C21.46)



STICK LENGTHS	2,15 m (D21.23)	2,65 m (D21.33)
A Max. digging height	9,90 m	10,30 m
B Max. dumping height	7,20 m	7,60 m
C Max digging depth	5,30 m	5,80 m
D Max. vertical wall digging depth	3,88 m	4,38 m
E Max. digging depth of cut for 2.44 m level	5,20 m	5,70 m
F Max. digging reach	8,84 m	9,34 m
G Max. digging reach at ground level	8,65 m	9,15 m
H Min. front swing radius	2,75 m	2,73 m
Max. bucket digging force	125 kN	118 kN
Max. stick digging force	98 kN	84 kN

Unit is equipped with standard adjustable boom: base arm 1.95 m (C21.41) and boom 3.83 m (C21.461).

# LIFTING CAPACITIES 190W

## Lifting capacities Adjustable boom: Base arm 1.95 m (C21.41) and boom 3.41 m (C21.46)

### Lifting capacities Adjustable boom: Base arm 1.95 m (C21.41) and boom 3.41 m (C21.46) with stick 2.15 m (D21.23). Max reach 8.94 m

Height	Undercarriage type		3.0 m	3.5 m	4.0 m	4.5 m	5.0 m	5.5 m	6.0 m	6.5 m	7.0 m	7.5 m
+7.5 m	FRONT				6127	6037	5824					
					6127	6037	5824					
	LATERAL				6127	6037	5615*					
					6127	6037	5038*					
+6.0 m	FRONT			5987	5757	5576	5441	5360	5263			
				5987	5757	5576	5441	5360	4942*			
	LATERAL			5987	5757	5576	4922*	4209*	3547*			
				5987	5757	5222*	4484*	3793*	3185*			
+ 4.5 m	FRONT		8429	7468	6789	6288	5907	5614	5391	5236		
			8429	7468	6789	6288	5907	5614	4992*	4372*		
	LATERAL		8429	7468	6613*	5616*	4856	4263*	3693*	3146*		
			8429	7233*	6007*	5111	4433*	3898	3329*	2825*		
+ 3.0 m	FRONT		9166	9429	8631	7582	6837	6282	5856	5523	5264	
			9166	9429	8631	7352*	6330*	5557*	4932*	4371*	3788*	
	LATERAL		9166	7709*	6409*	5477	4770*	4215*	3687*	3147*	2702*	
			8615*	6955*	5822*	4990*	4355*	3861*	3323*	2826*	2416*	
+ 1.5 m	FRONT		11856	11100	10033	8676	7677	6920	6329	5855	5461	3698
			11856	10541*	8609	7266	6284*	5534*	4932*	4256*	3706*	3255*
	LATERAL		9485*	7608*	6335*	5423*	4746	4185*	3547*	3039*	2624*	2283*
			8510*	6858*	5752*	4946*	4350*	3772*	3186*	2720*	2339*	2026*
+ 0 m	FRONT		14113	12004	10265	8968	7963	7161	6510	5980	5496	
			13749*	10659	8695*	7348*	6402*	5465*	4685*	4073*	3580*	
	LATERAL		9638*	7704*	6356*	5367*	4591*	3877*	3313*	2866*	2506*	
			8472*	6812*	5658*	4797*	4113*	3468*	2957*	2551*	2223*	
-1.5 m	FRONT		14676	12207	10445	9133	8158	7369	6546	5534		
			14105	10974*	8791*	7192*	6017*	5132*	4464*	3941*		
	LATERAL		9106*	7225*	5957*	4944*	4165*	3564*	3106*	2743*		
			7924*	6354*	5273*	4388*	3699*	3163*	2754*	2430*		
-3.0 m	FRONT		14956	12257	10214	8502	6923					
			14019*	10476*	8320*	6859*	5820*					
	LATERAL		8719*	6804*	5546*	4647*	3987*					
			7557*	5951*	4878*	4100*	3525*					

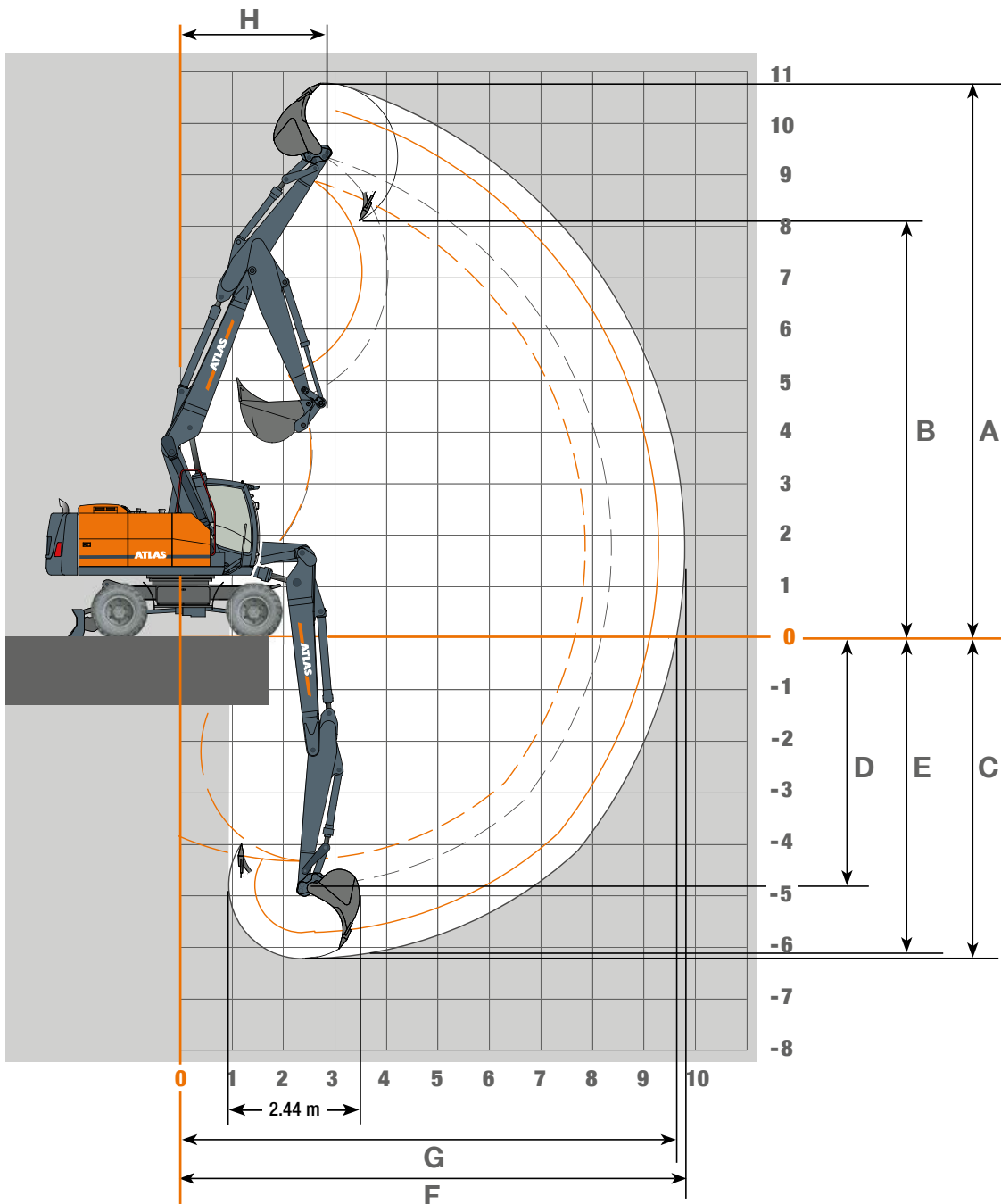
### Lifting capacities Adjustable boom: Base arm 1.95 m (C21.41) and boom 3.41 m (C21.46) with stick 2.65 m (D21.33). Max reach 9.34 m

Height	Undercarriage type		3.0 m	3.5 m	4.0 m	4.5 m	5.0 m	5.5 m	6.0 m	6.5 m	7.0 m	7.5 m
+7.5 m	FRONT				5173	5177	5244					
					5173	5177	5244					
	LATERAL				5173	5177	4921*					
					5173	5177	4433*					
+6.0 m	FRONT				5081	4995	4920	4863	4837	4524		
					5081	4995	4920	4863	4837	4427*		
	LATERAL				5081	4995	4920	4340*	3760*	3199*		
					5081	4995	4553*	3962*	3393*	2877*		
+ 4.5 m	FRONT		6857	6555	6093	5732	5446	5216	5032	4891	4795	
			6857	6555	6093	5732	5446	5216	5020*	4481*	3941*	
	LATERAL		6857	6555	6093	5663*	4891*	4288*	3807*	3319*	2849*	
			6857	6555	6086*	5165*	4473*	3924*	3482	2996*	2559*	
+ 3.0 m	FRONT		9255	9216	7945	7069	6431	5947	5569	5270	5030	4841
			9255	9216	7945	7069	6361*	5567*	4940*	4436*	3937*	3439*
	LATERAL		9255	7748*	6443*	5492*	4777*	4213*	3766*	3311*	2849*	2460*
			8694*	7018	5859	5008*	4361*	3854	3452*	2988*	2560*	2199*
+ 1.5 m	FRONT		11652	11081	9637	8350	7409	6697	6141	5696	5330	5019
			11652	10513*	8586*	7245*	6254*	5504	4911*	4406*	3836*	3367*
	LATERAL		9467*	7580*	6309*	5404	4711	4184*	3730*	3192*	2754*	2389*
			8473*	6839*	5735*	4918	4307*	3836*	3370*	2872*	2466*	2129*
+ 0 m	FRONT		13599	11888	10189	8904	7900	7102	6455	5918	5467	5058
			13599	10555*	8618*	7272	6294*	5568*	4844*	4196*	3674*	3252*
	LATERAL		9520*	7623*	6345	5452*	4713*	4078	3470*	2990*	2599*	2279*
			8525	6888*	5767	4918*	4230*	3664*	3110*	2671*	2314*	2021*
-1.5 m	FRONT		14500	12062	10319	9015	8007	7211	6607	5993	5201	
			13890	10822*	8876*	7389*	6190*	5265*	4551*	3990*	3547*	
	LATERAL		9230*	7328*	6048*	5116*	4336*	3688*	3184*	2787*	2473*	
			8040*	6452*	5360*	4554*	3864*	3283*	2830*	2472*	2191*	
-3.0 m	FRONT		15175	12627	10745	9244	7951	6724	5411			
			14244*	10622*	8401*	6909*	5843*	5042*	4424*			
	LATERAL		8895*	6922*	5613*	4689*	4006*	3479*	3066*			
			7723*	6063*	4941*	4140*	3543*	3079*	2715*			

The specified max. loading capacities in kilograms (kg) include a stability of 25% or are calculated at 87% of the hydraulic lifting power, as per ISO10567. These values are applicable at the tip of the arm with optimum positioning of the corresponding arm system. Weights of attached load carrying accessories (grab, magnet, load hook, etc.) are not included with the load carrying values. \*Value limited due to excavator stability.

# WORKING RANGES 190W

**Working ranges** Adjustable boom: Base arm 1.95 m (C21.41) and boom 3.83 m (C21.461)



STICK LENGTHS	2,15 m (D21.23)	2,65 m (D21.33)
A Max. digging height	10,36 m	10,78 m
B Max. dumping height	7,64 m	8,10 m
C Max digging depth	5,72 m	6,22 m
D Max. vertical wall digging depth	4,29 m	4,79 m
E Max. digging depth of cut for 2.44 m level	5,60 m	6,10 m
F Max. digging reach	9,29 m	9,79 m
G Max. digging reach at ground level	9,10 m	9,60 m
H Min. front swing radius	2,88 m	2,88 m
Max. bucket digging force	125 kN	118 kN
Max. stick digging force	98 kN	84 kN

Unit is equipped with standard adjustable boom: base arm 1.95 m (C21.41) and boom 3.41 m (C21.46).



# LIFTING CAPACITIES 190W

## Lifting capacities Adjustable boom: Base arm 1.95 m (C21.41) and boom 3.83 m (C21.461)

### Lifting capacities Adjustable boom: Base arm 1.95 m (C21.41) and boom 3.83 m (C21.461) with stick 2.15 m (D21.23). Max reach 9.29 m

Height	Undercarriage type		3.0 m	3.5 m	4.0 m	4.5 m	5.0 m	5.5 m	6.0 m	6.5 m	7.0 m	7.5 m
+7.5 m	FRONT				5523	5443	5452					
					5523	5443	5452					
	LATERAL				5523	5443	4812*					
					5523	5165*	4331*					
+6.0 m	FRONT			6013	5706	5463	5272	5129	5037	5037		
				6013	5706	5463	5272	5129	5017*	4380*		
	LATERAL			6013	5706	5463	4878*	4251*	3678*	3160*		
				6013	5706	5150*	4433*	3867*	3317*	2841*		
+4.5 m	FRONT		7766	7931	7039	6408	5940	5582	5306	5096	4949	
			7766	7931	7039	6408	5940	5582	4964*	4434*	3907*	
	LATERAL		7766	7838*	6484*	5509	4774*	4197*	3727*	3253*	2819*	
			7766	7064	5875*	5009	4349*	3822*	3400*	2932*	2533*	
+3.0 m	FRONT		7090	8057	8450	7842	6978	6346	5866	5492	5197	4966
			7090	8057	8450	7280*	6276*	5500*	4892*	4400*	3907*	3437*
	LATERAL		7090	7538*	6278*	5361*	4667*	4125*	3693*	3248*	2821*	2462*
			7090	6787*	5675*	4871	4246*	3761*	3380*	2928*	2535*	2203*
+1.5 m	FRONT		10513	10251	9697	8880	7814	7005	6377	5876	5468	5123
			10513	10251	8550*	7204*	6215	5463	4881*	4375*	3832*	3384*
	LATERAL		9325*	7452*	6204*	5304*	4630*	4116	3658*	3158*	2749*	2412*
			8316*	6700*	5607*	4815	4219	3761*	3297*	2839*	2464*	2154*
+0 m	FRONT		13426	11965	10397	9072	8048	7234	6570	6021	5567	5153
			13426	10632*	8635*	7265*	6281*	5575	4837*	4213*	3708*	3300*
	LATERAL		9480*	7546*	6265	5324*	4603*	4022*	3459*	3004*	2633*	2333*
			8284*	6681*	5575*	4760*	4127*	3612*	3102*	2689*	2351*	2077*
-1.5 m	FRONT		14863	12347	10550	9208	8173	7358	6754	6104	5245	
			14135	10931*	8839*	7368*	6225*	5316*	4613*	4057*	3623*	
	LATERAL		9146*	7266*	6014*	5113*	4365*	3742*	3252*	2859*	2554*	
			7968*	6399*	5332*	4555*	3896*	3340*	2900*	2547*	2272*	
-3.0 m	FRONT		15530	12896	10954	9405	8058	6758	5329			
			14492*	10818*	8575*	7065*	5978*	5161*	4545*			
	LATERAL		9123*	7111*	5783*	4843*	4142*	3601*	3189*			
			7946*	6250*	5111*	4294*	3679*	3202*	2836*			

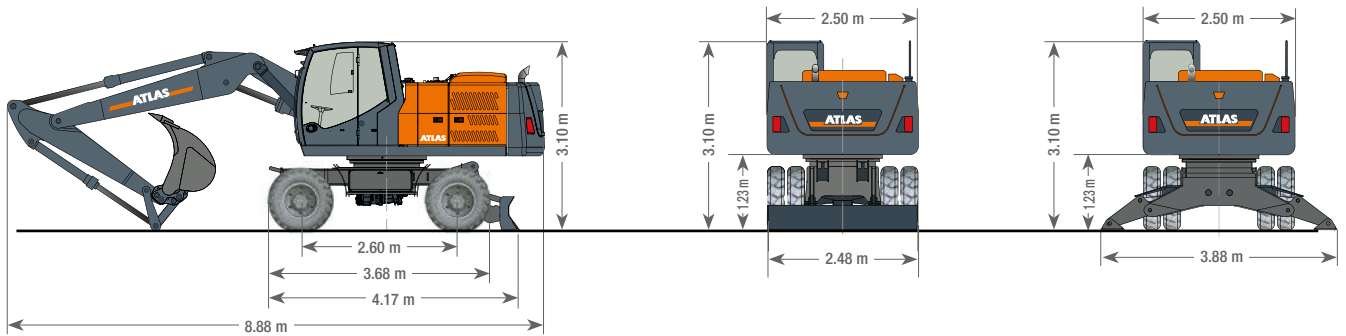
### Lifting capacities Adjustable boom: Base arm 1.95 m (C21.41) and boom 3.83 m (C21.461) with stick 2.65 m (D21.33). Max reach 9.79 m

Height	Undercarriage type		3.0 m	3.5 m	4.0 m	4.5 m	5.0 m	5.5 m	6.0 m	6.5 m	7.0 m	7.5 m	8.0 m
+9.0 m	FRONT			6144									
				6144									
	LATERAL			6144									
				6144									
+7.5 m	FRONT					4788	4780	4814	3840				
						4788	4780	4814	3840				
	LATERAL					4788	4780	4261*	3626*				
						4788	4503	3846*	3265*				
+6.0 m	FRONT				5062	4920	4798	4699	4625	4582	4601		
					5062	4920	4798	4699	4625	4497	3960*		
	LATERAL				5062	4920	4798	4303	3791*	3312*	2868*		
					5062	4920	4487*	3920*	3451*	2990*	2580*		
+4.5 m	FRONT		7863	6970	6333	5858	5492	5204	4974	4792	4652	4556	
			7863	6970	6333	5858	5492	5204	4974	4451*	4011*	3551*	
	LATERAL		7863	6970	6333	5559*	4809*	4220*	3745*	3357*	2947*	2569*	
			7863	6970	5950*	5057*	4380*	3851*	3419*	3062*	2658*	2308*	
+3.0 m	FRONT		7376	8266	8369	7321	6575	6019	5590	5252	4980	4762	4590
			7376	8266	8369	7317*	6295	5509*	4893	4392*	3984	3549*	3143*
	LATERAL		7376	7583*	6306*	5375*	4676*	4126	3686	3326*	2941*	2568*	2252*
			7376	6831*	5706*	4888*	4259*	3765*	3366*	3044*	2652*	2308*	2015*
+1.5 m	FRONT		10366	10219	9755	8574	7556	6788	6192	5717	5331	5010	4734
			10366	10219	8528*	7180*	6198	5438	4846	4373*	3944*	3482*	3093*
	LATERAL		9287*	7426*	6176*	5279*	4603*	4081*	3668*	3291*	2860*	2505*	2205*
			8284*	6679*	5584*	4789*	4193*	3721*	3353*	2971*	2573*	2245*	1969*
+0 m	FRONT		12773	11656	10308	9005	7990	7175	6515	5970	5510	5119	4761
			12773	10536*	8558	7200*	6216*	5474	4913*	4326*	3804*	3372*	3018*
	LATERAL		9369*	7463*	6202*	5312	4644*	4085*	3601*	3118*	2725*	2399*	2134*
			8338*	6706*	5607*	4823*	4189*	3673*	3241*	2800*	2440*	2141*	1899*
-1.5 m	FRONT		14686	12206	10432	9105	8077	7260	6599	6080	5601	4927	
			13931	10758*	8756*	7407*	6329*	5447*	4713*	4130*	3656*	3285*	
	LATERAL		9199*	7312*	6052*	5145*	4457*	3866*	3342*	2926*	2583*	2317*	
			8017*	6441*	5368*	4585*	3984*	3459*	2988*	2612*	2301*	2060*	
-3.0 m	FRONT		15069	12547	10796	9498	8398	7410	6426	5326			
			14407*	10901*	8710*	7152*	6022*	5191*	4545*	4032*			
	LATERAL		9050*	7177*	5898*	4919*	4179*	3626*	3188*	2834*			
			7876*	6312*	5220*	4366*	3714*	3226*	2836*	2521*			

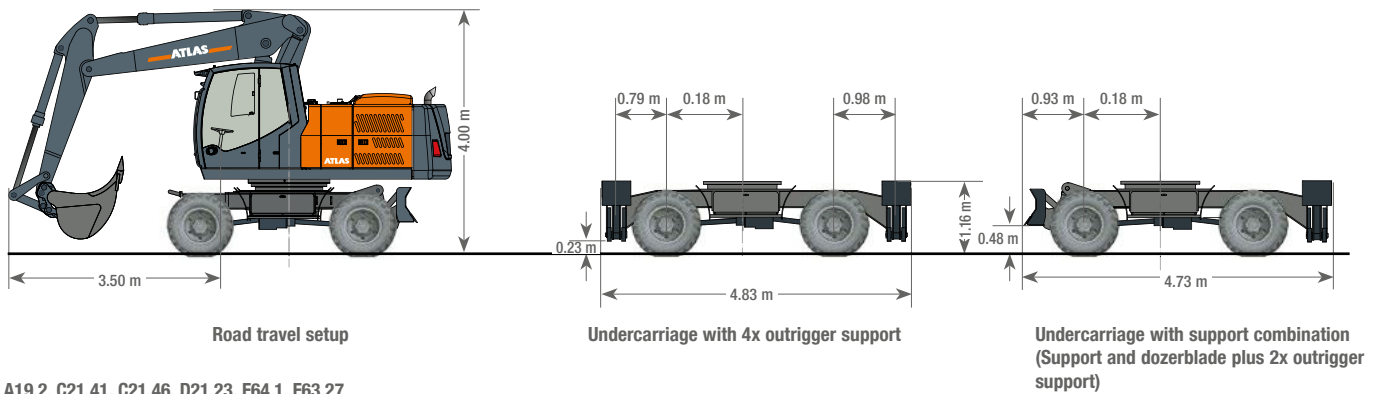
The specified max. loading capacities in kilogrammes (kg) include a stability of 25% or are calculated at 87% of the hydraulic lifting power, as per ISO10567. These values are applicable at the tip of the arm with optimum positioning of the corresponding arm system. Weights of attached load carrying accessories (grab, magnet, load hook, etc.) are not included with the load carrying values. \*Value limited due to excavator stability.

# DIMENSIONS 190W

## Dimensions



A19.2, C21.41, C21.46, D21.23, F64.1, F63.23



A19.2, C21.41, C21.46, D21.23, F64.1, F63.27

## GANDERKESEE FACTORY

Atlas GmbH  
Atlasstraße 6  
D-27777 Ganderkesee,  
Germany

Tel.: +49 (0) 4222 954 0  
Fax: +49 (0) 4222 954 220  
E-mail: [info@atlasgmbh.com](mailto:info@atlasgmbh.com)  
[www.atlasgmbh.com](http://www.atlasgmbh.com)



## VECHTA FACTORY

Atlas GmbH  
Theodor-Heuss-Str. 3  
D-49377 Vechta  
Germany

T: +49 (0) 4441 954 0  
F: +49 (0) 4441 954 299  
E-mail: [info@atlasgmbh.com](mailto:info@atlasgmbh.com)  
[www.atlasgmbh.com](http://www.atlasgmbh.com)



## DELMENHORST FACTORY

Atlas GmbH  
Stedinger Straße 324  
D-27751 Delmenhorst  
Germany

T: +49 (0) 4221 49 10  
F: +49 (0) 4221 49 14 43  
E-mail: [info@atlasgmbh.com](mailto:info@atlasgmbh.com)  
[www.atlasgmbh.com](http://www.atlasgmbh.com)

## ATLAS CRANES UK LTD NATIONAL SALES & SERVICE FACILITY

Wharfedale Road,  
Euroway Trading Est.  
Bradford, England BD4 6SL  
United Kingdom

T: +44 8444 99 66 88  
F: +44 1274 65 37 85  
E-mail: [atlasuk@atlasgmbh.com](mailto:atlasuk@atlasgmbh.com)  
[www.atlas-cranes.co.uk](http://www.atlas-cranes.co.uk)  
[www.atlasgmbh.com](http://www.atlasgmbh.com)

**ATLAS** SINCE 1919 **Wheeled Excavator  
190W**



[www.atlasgmbh.com](http://www.atlasgmbh.com)

**ATLAS GmbH**  
EXCAVATORS  
Atlasstraße 6  
D-27777 Ganderkesee, Germany  
T: +49 (0) 4222 954 0  
Fax: +49 (0) 4222 954 220  
[info@atlasgmbh.com](mailto:info@atlasgmbh.com)