



ATLAS

SINCE 1919

**STABLE.
STRONG.
STEADY.**

 16.0 - 17.8 t

 105 kW (143 HP)

 0.7 - 1.3 m³



WHEELED EXCAVATOR 160W

WWW.ATLASGMBH.COM

TECHNICAL SPECIFICATION 160W

Technical specifications

ENGINE

Power rating 105 kW (143 HP)	Number of cylinders 6	Alternator 24 V / 100 Ah
RPM 1800/min	Bore / cylinder stroke 101 / 126	Starter 24 V / 4.8 kW
Make / model Deutz TCD 6.1 (Tier 4F)	Cooling system Water-cooled	
Design Turbocharger / charge-air cooling	Air filter Dry air filter	
Displacement 6057 cm ³	Battery 2 x 12 V / 100 Ah	

HYDRAULIC SYSTEM

• AWE 5 system (Load sensing)	• Suction valves for all work functions	• 2 additional circuits for additional consumer loads possible
• Load limit controlled high-performance pump	• Load-retaining and fine lowering valves in lifting circuit	• Max. oil flow 260 l/min
• Fuel-efficient flow-on-demand control	• Pipe break protection valves for lifting and articulated cylinders	• Max. operating pressure 350 bar
• Sensitive, proportional, independent control	• Proportional grab/grab rotating function	• Operating modes: 3 pre-programmed modes (Fine, Eco, Power)
• Primary and secondary protection against overload		

SWING ASSEMBLY

A hydrostatic drive with a 2-tier planetary gear and an axial piston motor acts like a wear-resistant service brake. Additional spring-mechanism multi-disc brake as a parking brake.

- Max. swing speed 9/min
- Swing torque 41 kNm

TRACTION DRIVE AND BRAKES

• Variable displacement motor	• Automotive drive:	• Tractive force 92.7 kN
• Power-shift transmission	• Max. speed 20 km/h	• Max. gradeability 55 %
• Double-acting brake valve	• Off-road speed 5 km/h	• Dual-circuit brake system Multi-disc
• Travel direction pre-selection via buttons in joystick	• Crawling speed 1 km/h	• Parking brake Multi-disc
	• High-speed execution 35 km/h	

UNDERCARRIAGE

• 28 tons special excavator axles	• 8 tires (twins) 10.00 - 20	• 4 tires (optional) 710 - 22.5
• Steering axle with automatic oscillating axle locking		

FILL CAPACITIES

• Fuel tank 301 litres	• Engine oil 14 litres	• Hydraulic system 220 litres
• Cooling system 38 litres	• Hydraulic tank 180 litres	• Ad Blue 32 litres

DRIVER'S CAB

• Meets latest safety standards (ROPS)	• Seat adjustable separately from console	CLIMATE CONTROL:
• Extra large entry zone	CONTROL:	• Air conditioning equipped as standard
• Spacious leg room	• Ergonomic joysticks with proportional slide control	• Excellent air distribution through optimally arranged nozzles
• Excellent circumferential visibility	• Slim steering column, height and tilt adjustable	
• Preparation for radio installation with mute function	• Indicators, controls and operating switches are clearly arranged	SOUND LEVELS:
		• ISO 6396 (L _{pA}) in driver's cab 72 dB(A)
DRIVER'S SEAT:	MONITORING:	• 2000/14 EG (L _{wA}) ambience level...97 dB(A)
• Air-cushioned comfort seat (seat heating optional)	• Operating data display screen	
• Arm rests and lumbar support	• Automatic system for monitoring, warning and storage of data	

WORKING EQUIPMENT 160W

Working equipment

OPERATING WEIGHTS

	MONOBLOCK BOOM 4.32 m (C6.3M)		ADJUSTABLE BOOM Base arm 1.87 m (C6.41) Boom 3.10 m (C6.46)	
	Stick 2.15 m (D6.2)	Stick 2.65 m (D6.3)	Stick 2.15 m (D6.2)	Stick 2.65 m (D6.3)
Support and dozer blade	16.0 t	16.1 t	16.4 t	16.5 t
SDB / outriggers	17.1 t	17.2 t	17.5 t	17.6 t
4 outriggers	17.3 t	17.4 t	17.7 t	17.8 t

Operating weight incl. driver, fuel, lubricants and coolant plus 1.0 ton for attachments.

EQUIPMENT

BASIC UNIT ATLAS 160W (can be combined)		
<ul style="list-style-type: none"> Wheel Excavator 160W with support and dozer blade (SDB) and 2 lifting cylinders (A6.2) 	STANDARD EQUIPMENT:	<ul style="list-style-type: none"> Ready for electric cooling box
SDB = support and dozer blade	Engine:	<ul style="list-style-type: none"> Different options for storage, compartment for documents Seat adjustable separately from console Rear view security camera Heat-absorbing glass, tinted windows Automotive drive
BOOMS:	<ul style="list-style-type: none"> Automatic idling system Diesel pre-filter Engine monitoring Cold start assistance 	<ul style="list-style-type: none"> Operating data display screen
<ul style="list-style-type: none"> Monoblock boom with stick cylinder 4.32 m (C6.3M) Adjustable boom consisting of base arm 1.87 m (C6.41) adjustable cylinder plus boom 3.10 m (C6.46) with stick cylinder 	HYDRAULIC SYSTEM:	<ul style="list-style-type: none"> Bottle holder
STICKS:	<ul style="list-style-type: none"> Proportional grab/grab rotating function Accumulator for emergency lowering of boom system Pipe break protection valves for lifting and articulated cylinders Max. load-limit control 	EQUIPMENT:
<ul style="list-style-type: none"> Stick 2.15 m (D6.2) Stick 2.65 m (D6.3) 	<ul style="list-style-type: none"> Cylinder end position damping 	<ul style="list-style-type: none"> Joint bearings in stick and bucket cylinders Combined lubricating points for swing bearing and arm equipment
BUCKET TIPPING CYLINDER:	Cab:	UNDERCARRIAGE:
<ul style="list-style-type: none"> Bucket tipping cylinder with bucket linkage (F6.1) 	<ul style="list-style-type: none"> Air-conditioning Preparation for radio installation with mute function Slim steering column, height and tilt adjustable 	<ul style="list-style-type: none"> Power-shift transmission Wet disc brakes Toolbox in undercarriage

ADDITIONAL EQUIPMENT

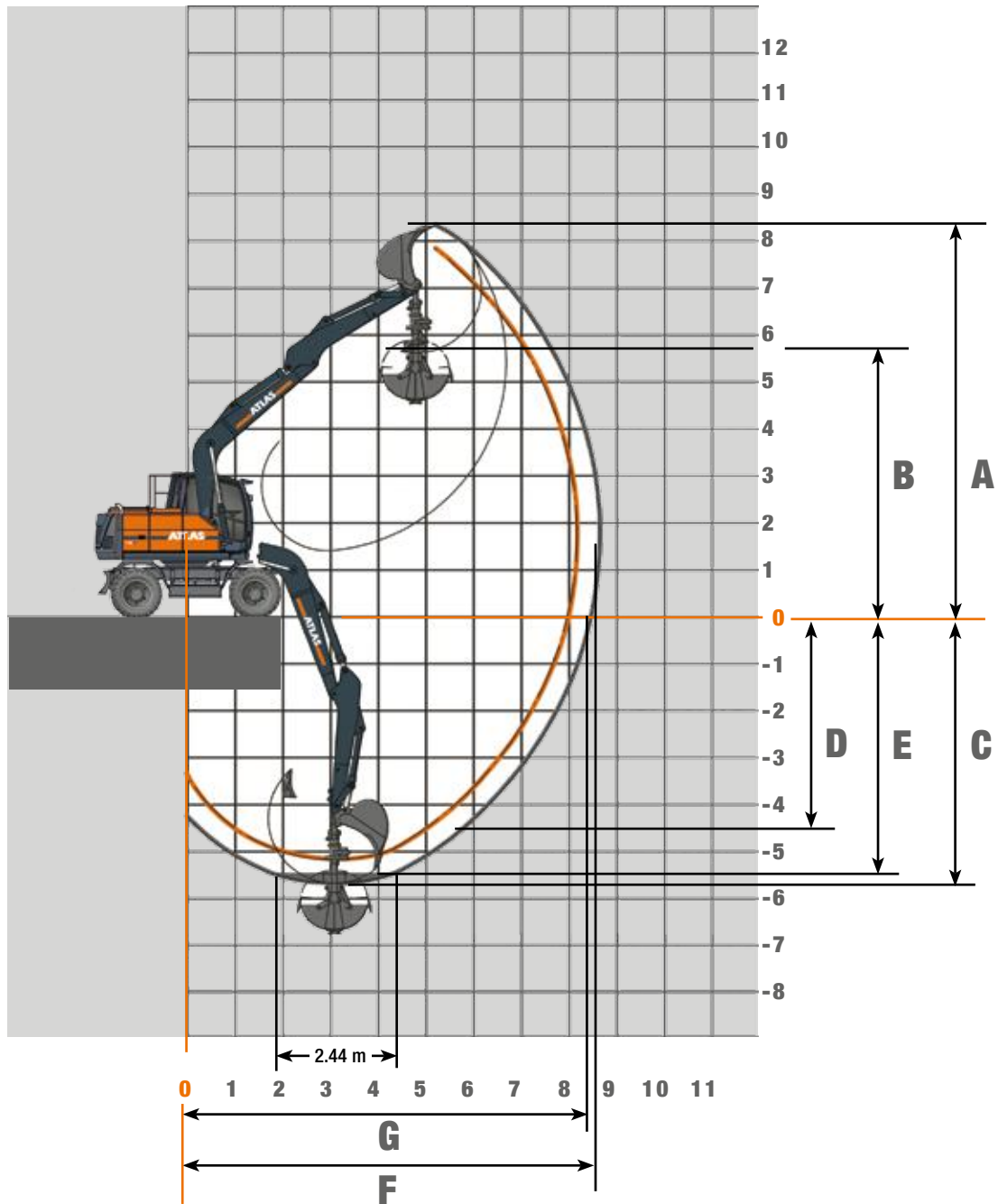
Engine:	Equipment:	<ul style="list-style-type: none"> 270° camera system
<ul style="list-style-type: none"> Refueling pump 	<ul style="list-style-type: none"> Automatically controlled and monitored electric central lubrication system for uppercarriage and arm equipment 	<ul style="list-style-type: none"> Cab elevation
<ul style="list-style-type: none"> Engine speed adjustment via potentiometer Auxiliary heating 	Cab:	<ul style="list-style-type: none"> LED working lights Proportional control of supports by slide in joystick
Hydraulics:	<ul style="list-style-type: none"> GPS/GSM telemetric system for monitoring of operating data, consumption, position Heated driver's seat 	Undercarriage:
<ul style="list-style-type: none"> Hydraulic kit, to operate front and rear supports separately Hydraulic kit, to operate supports per axle separately Biodegradable oil 	<ul style="list-style-type: none"> Radio CD/MP3, front AUX in, USB Electric cooling box Joystick steering 	<ul style="list-style-type: none"> Wide axles (overall width 2750 mm) Wide dozer blade (2750 mm) Gear protection High-speed option 37 km/h
		Further special equipment: See price list

ATTACHMENTS (SELECTION)

	Bucket F415	Bucket F416	Bucket F417	Bucket F648
Capacity SAE	0.67 m ³	0.82 m ³	0.92 m ³	1.12 m ³
Cutting width	850 mm	1000 mm	1100 mm	1300 mm

WORKING RANGES 160W

Working ranges Monoblock boom 4.32 m (C6.3M)



STICK LENGTHS	2.15 m (D6.2)	2.5 m (D6.3)
A Max. digging height	8.10 m	8.35 m
B Max. dumping height	5.35 m	5.65 m
C Max digging depth	5.20 m	5.70 m
D Max. vertical wall digging depth	4.05 m	4.55 m
E Max. digging depth of cut for 2.44 m level	4.95 m	5.50 m
F Max. digging reach	8.25 m	8.70 m
G Max. digging reach at ground level	8.05 m	8.50 m
Max. bucket digging force	130 kN	130 kN
Max. stick digging force	82 kN	72 kN

Unit is equipped with monoblock boom 4.32 m (C6.3M).

LIFTING CAPACITIES 160W

Lifting capacities Monoblock boom 4.32 m (C6.3M)

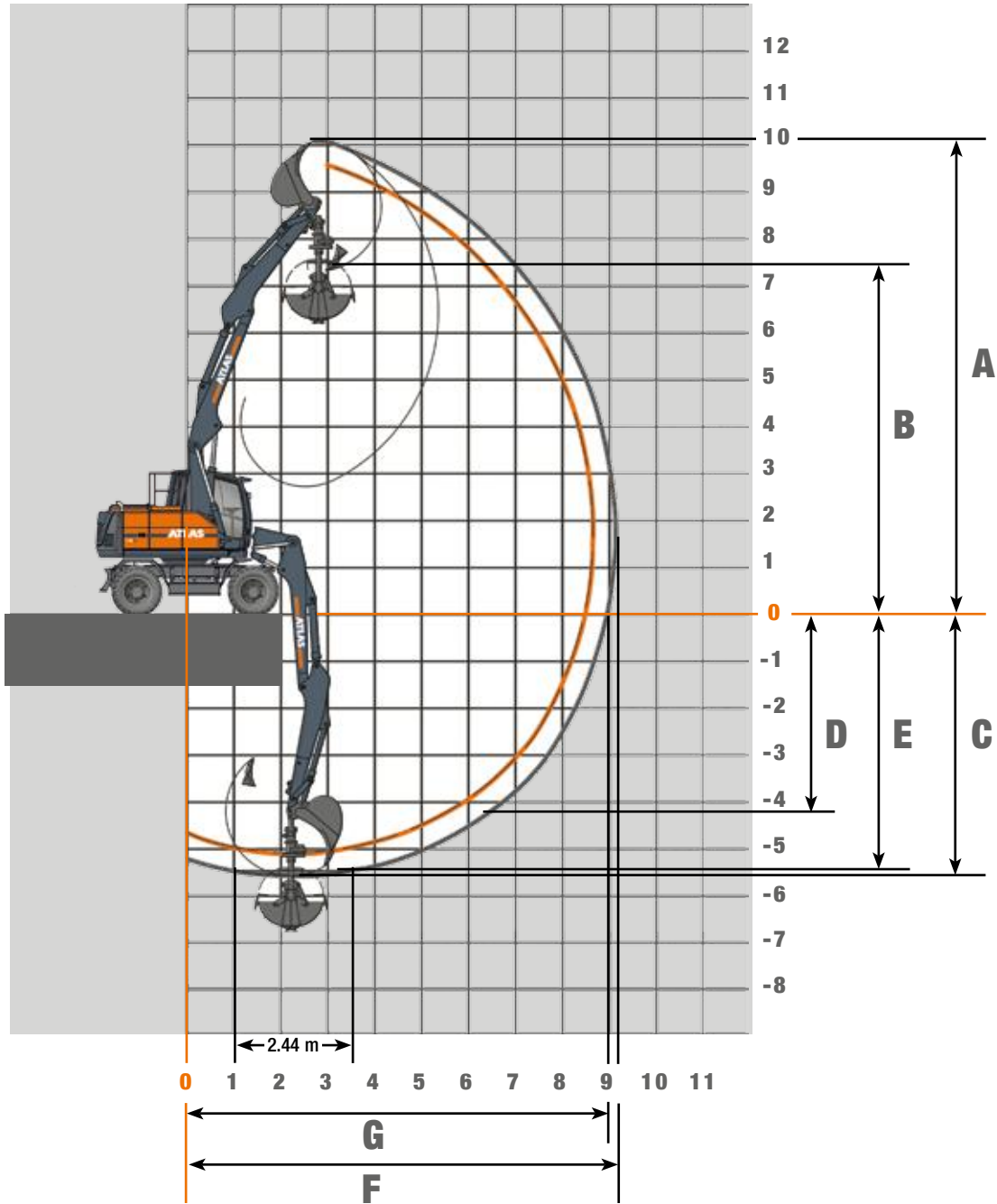
Lifting capacities Monoblock boom 4.32 m (C6.3M) and stick 2.15 m (D6.2). Max reach 8.20 m											
Height	Undercarriage type		2.5 m	3.0 m	3.5 m	4.0 m	4.5 m	5.0 m	5.5 m	6.0 m	6.5 m
+ 5.0 m	FRONT		SDB rear, supported						4195		
	LATERAL		SDB front, raised						4195		
+ 4.0 m	FRONT		SDB supported					4504	4338	4228	
	LATERAL		SDB raised					4504	4338	4020*	3570*
+ 3.0 m	FRONT		SDB rear, supported		6809	5963	5382	4964	4652	4418	4251
	LATERAL		SDB front, raised		6809	5963	5382	4964	4652	4418	4251
+ 2.0 m	FRONT		SDB supported		8168	6915	6067	5460	5008	4660	4386
	LATERAL		SDB raised		8164*	6763*	5749*	4981*	4378*	3892*	3488*
+ 1.0 m	FRONT		SDB supported		8919	7551	6570	5844	5289	4849	4480
	LATERAL		SDB raised		7912*	6564*	5595*	4863*	4288*	3825*	3443*
+ 0 m	FRONT		SDB supported		7473	6233	5382	4759	4288	3885	3513
	LATERAL		SDB raised		7473	6233*	5382*	4759*	4288*	3885*	3513*
- 1.0 m	FRONT		SDB rear, supported	8120	9990	8609	7495	6594	5853	5219	4614
	LATERAL		SDB front, raised	8120	9990	8609	7495	6594	5853	5219	4614
- 2.0 m	FRONT		SDB supported	10191	8825	7706	6768	5961	5228	4445	
	LATERAL		SDB raised	10191	8825*	6792*	5642*	4827*	4222*	3768*	
- 3.0 m	FRONT		SDB supported	7787	6855	6019	5220	4339			
	LATERAL		SDB raised	7787	6855	6019	5220	4339			

Lifting capacities Monoblock boom 4.32 m (C6.3M) and stick 2.65 m (D6.3). Max reach 8.70 m												
Height	Undercarriage type		2.5 m	3.0 m	3.5 m	4.0 m	4.5 m	5.0 m	5.5 m	6.0 m	6.5 m	7.0 m
+ 5.0 m	FRONT		SDB rear, supported							3762	1902	
	LATERAL		SDB front, raised							3762	1902	
+ 4.0 m	FRONT		SDB supported						3958	3870	3817	
	LATERAL		SDB raised						3958	3870	3605*	3204*
+ 3.0 m	FRONT		SDB rear, supported					4571	4317	4120	3969	3152
	LATERAL		SDB front, raised					4571	4317	4120	3969	3152
+ 2.0 m	FRONT		SDB supported		7464	6394	5660	5129	4729	4420	4176	3896
	LATERAL		SDB raised		7464	6394	5660	5129	4729	4420	4176	3896
+ 1.0 m	FRONT		SDB supported		8523	7212	6287	5607	5091	4685	4356	4027
	LATERAL		SDB raised		8523	7212	6287	5607	5091	4685	4356	4027
+ 0 m	FRONT		SDB supported		7828	6690*	5586*	4788*	4180*	3701*	3313*	2931*
	LATERAL		SDB raised		7828	6690*	5586*	4788*	4180*	3701*	3313*	2931*
- 1.0 m	FRONT		SDB rear, supported	10073	8813	7598	6655	5906	5293	4769	4270	
	LATERAL		SDB front, raised	10073	8813	7598	6655	5906	5293	4769	4270	
- 2.0 m	FRONT		SDB supported	10511	9541	8197	7139	6281	5560	4923	4279	
	LATERAL		SDB raised	10511	9541	8197	7139	6281	5560	4923	4279	
- 3.0 m	FRONT		SDB supported	9333	8003	6953	6076	5298	4539			
	LATERAL		SDB raised	9333	8003	6953	6076	5298	4539			

The specified max. loading capacities in kilograms (kg) include a stability of 25% or are calculated at 87% of the hydraulic lifting power, as per ISO10567. These values are applicable at the tip of the arm with optimum positioning of the corresponding arm system. Weights of attached load carrying accessories (grab, magnet, load hook, etc.) are not included with the load carrying values. *Value limited due to excavator stability.

WORKING RANGES 160W

Working ranges Adjustable boom: Base arm 1.87 m (C6.41) and boom 3.10 m (C6.46)



STICK LENGTHS	2.15 m (D6.2)	2.65 m (D6.3)
A Max. digging height	9.70 m	10.10 m
B Max. dumping height	6.95 m	7.35 m
C Max digging depth	5.10 m	5.60 m
D Max. vertical wall digging depth	3.80 m	4.30 m
E Max. digging depth of cut for 2.44 m level	5.00 m	5.50 m
F Max. digging reach	8.70 m	9.20 m
G Max. digging reach at ground level	8.55 m	9.00 m
Max. bucket digging force	130 kN	130 kN
Max. stick digging force	82 kN	72 kN

Unit is equipped with standard adjustable boom: base arm 1.87 m (C6.41) and boom 3.10 m (C6.46).

LIFTING CAPACITIES 160W

Lifting capacities Adjustable boom: Base arm 1.87 m (C6.41) and boom 3.10 m (C6.46)

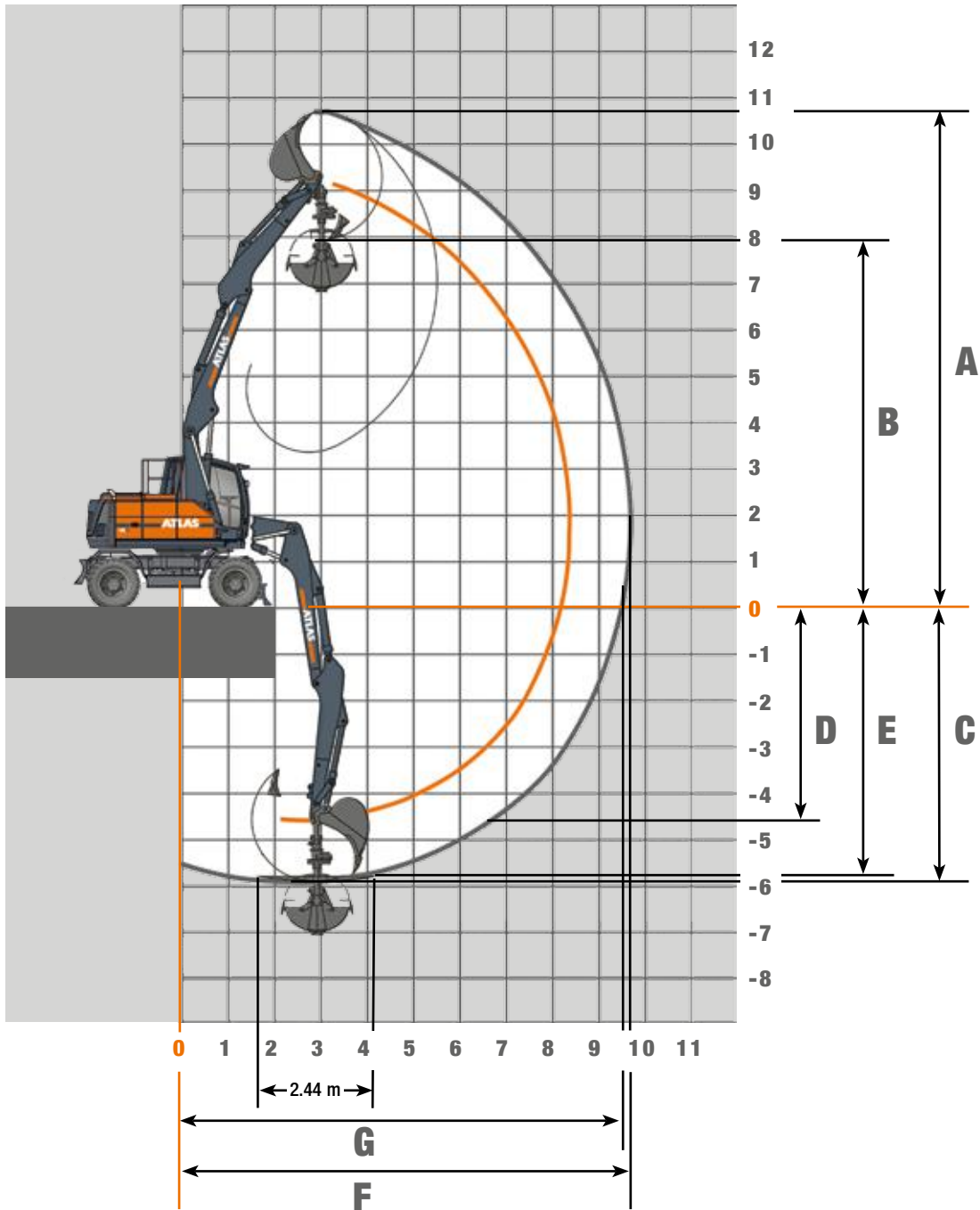
Lifting capacities Adjustable boom: Base arm 1.87 m (C6.41) and boom 3.10 m (C6.46) with stick 2.15 m (D6.2). Max reach 8.70 m												
Height	Undercarriage type		2.5 m	3.0 m	3.5 m	4.0 m	4.5 m	5.0 m	5.5 m	6.0 m	6.5 m	7.0 m
+ 6.0 m	FRONT	SDB rear, supported				5058	4799	4597	4452			
		SDB front, raised				5058	4799	4597	4452			
	LATERAL	SDB supported				5058	4799	4597	4452			
		SDB raised				5058	4799	4597	4071*			
+ 5.0 m	FRONT	SDB rear, supported		5477	5870	5385	5008	4710	4471	4284	3782	
		SDB front, raised		5477	5870	5385	5008	4710	4471	4284	3782	
	LATERAL	SDB supported		5477	5870	5385	5008	4710	4471	4018*	3509*	
		SDB raised		5477	5870	5385	5008	4641*	4077*	3587*	3109*	
+ 4.0 m	FRONT	SDB rear, supported		7694	6804	6018	5445	5008	4665	4389	4165	
		SDB front, raised		7694	6804	6018	5445	5008	4665	4389	4165	
	LATERAL	SDB supported		7694	6804	6018	5445	5008	4484*	3995*	3549*	
		SDB raised		7694	6804	6018	5266	4577*	4040*	3605*	3149*	
+ 3.0 m	FRONT	SDB rear, supported		7688	7604	6794	5980	5383	4924	4559	4259	4000
		SDB front, raised		7688	7604	6794	5980	5383	4924	4559	4259	4000
	LATERAL	SDB supported		7688	7604	6752*	5768*	5019*	4437*	3968*	3541*	3118*
		SDB raised		7688	7211*	6035*	5169	4514*	4002*	3591*	3142*	2760*
+ 2.0 m	FRONT	SDB rear, supported	8959	8729	8203	7381	6416	5700	5149	4708	4342	4017
		SDB front, raised	8959	8729	8203	7381	6416	5700	5149	4708	4342	4017
	LATERAL	SDB supported	8959	8729	7996*	6659*	5695*	4972*	4407*	3962*	3501*	3093*
		SDB raised	8959	8729	7116*	5958*	5117*	4479*	3984*	3548*	3101*	2735*
+ 1.0 m	FRONT	SDB rear, supported	10369	9557	8645	7517	6570	5831	5241	4756	4354	4018
		SDB front, raised	10369	9557	8645	7517	6570	5831	5241	4756	4354	4018
	LATERAL	SDB supported	10369	9557	7986*	6646*	5685	4969*	4420*	3912*	3437*	3048*
		SDB raised	10369	8826*	7102*	5949*	5114	4489*	3992*	3462*	3039*	2691*
+ 0 m	FRONT	SDB rear, supported	12250	10522	8832	7541	6581	5839	5249	4774	4391	3780
		SDB front, raised	12250	10522	8832	7541	6581	5839	5249	4774	4391	3780
	LATERAL	SDB supported	12250	10090	8052*	6692*	5736*	5042*	4370*	3812*	3366*	3017*
		SDB raised	11754*	8911*	7176*	5998*	5119*	4444*	3857*	3364*	2970*	2661*
- 1.0 m	FRONT	SDB rear, supported	13541	10775	8931	7624	6654	5913	5360	4781	3987	
		SDB front, raised	13541	10775	8931	7624	6654	5913	5360	4781	3987	
	LATERAL	SDB supported	13541	10262*	8147*	6726*	5713*	4895*	4237*	3727*	3325*	
		SDB raised	11643*	8776*	7034*	5858*	5005*	4301*	3728*	3282*	2930*	
- 2.0 m	FRONT	SDB rear, supported	13838	11022	9176	7869	6804	5860	4897	3700		
		SDB front, raised	13838	11022	9176	7869	6804	5860	4897	3700		
	LATERAL	SDB supported	13838	10230*	8081*	6633*	5565*	4777*	4171*	3700		
		SDB raised	11589*	8710*	6972*	5769*	4863*	4187*	3664*	3260*		

Lifting capacities Adjustable boom: Base arm 1.87 m (C6.41) and boom 3.10 m (C6.46) with stick 2.65 m (D6.3). Max reach 9.20 m													
Height	Undercarriage type		2.5 m	3.0 m	3.5 m	4.0 m	4.5 m	5.0 m	5.5 m	6.0 m	6.5 m	7.0 m	7.5 m
+ 6.0 m	FRONT	SDB rear, supported					4375	4215	4086	3991			
		SDB front, raised					4375	4215	4086	3991			
	LATERAL	SDB supported					4375	4215	4086	3991			
		SDB raised					4375	4215	4086	3623*			
+ 5.0 m	FRONT	SDB rear, supported				4638	4606	4368	4170	4005	3872	3070	
		SDB front, raised				4638	4606	4368	4170	4005	3872	3070	
	LATERAL	SDB supported				4638	4606	4368	4170	4005	3605*	3070	
		SDB raised				4638	4606	4368	4092*	3630*	3215*	2808*	
+ 4.0 m	FRONT	SDB rear, supported		5552	5730	5523	5056	4690	4396	4155	3954	3786	
		SDB front, raised		5552	5730	5523	5056	4690	4396	4155	3954	3786	
	LATERAL	SDB supported		5552	5730	5523	5056	4690	4396	3993*	3588*	3196*	
		SDB raised		5552	5730	5523	5056	4587*	4040*	3600	3236*	2840*	
+ 3.0 m	FRONT	SDB rear, supported		7628	7325	6334	5630	5104	4694	4365	4094	3863	3656
		SDB front, raised		7628	7325	6334	5630	5104	4694	4365	4094	3863	3656
	LATERAL	SDB supported		7628	7325	6334	5630	5015*	4425*	3950*	3564	3187*	2825*
		SDB raised		7628	7242*	6054*	5175*	4511*	3985*	3566	3222*	2833*	2502*
+ 2.0 m	FRONT	SDB rear, supported	9051	8763	8122	7061	6159	5491	4977	4566	4229	3939	3673
		SDB front, raised	9051	8763	8122	7061	6159	5491	4977	4566	4229	3939	3673
	LATERAL	SDB supported	9051	8763	7967*	6634	5675*	4947*	4373*	3918*	3553	3153*	2803*
		SDB raised	9051	8763	7081*	5928*	5088*	4450*	3945*	3545	3176*	2798*	2479*
+ 1.0 m	FRONT	SDB rear, supported	9839	9249	8516	7420	6462	5729	5153	4687	4297	3959	3663
		SDB front, raised	9839	9249	8516	7420	6462	5729	5153	4687	4297	3959	3663
	LATERAL	SDB supported	9839	9249	7905*	6578*	5631*	4913*	4359	3923*	3501*	3098*	2765*
		SDB raised	9839	8723	7035*	5883*	5055*	4430*	3941*	3547*	3107*	2741*	2440*
+ 0 m	FRONT	SDB rear, supported	11371	10113	8706	7440	6495	5761	5175	4697	4303	3984	3463
		SDB front, raised	11371	10113	8706	7440	6495	5761	5175	4697	4303	3984	3463
	LATERAL	SDB supported	11371	9945*	7938*	6600	5649*	4938*	4405*	3881*	3416*	3034*	2732*
		SDB raised	11371	8783*	7067	5909*	5082*	4469*	3930*	3433*	3017*	2676*	2407*
- 1.0 m	FRONT	SDB rear, supported	12929	10592	8780	7495	6537	5799	5215	4762	4339	3724	
		SDB front, raised	12929	10592	8780	7495	6537	5799	5215	4762	4339	3724	
	LATERAL	SDB supported	12929	10073*	8047*	6699*	5721*	4954*	4303*	3762*	3332*	2989*	
		SDB raised	11656*	8792*	7048*	5867*	5011*	4357*	3791*	3315*	2935*	2633*	
- 2.0 m	FRONT	SDB rear, supported	13546	10774	8935	7634	6682	5970	5295	4586	3653		
		SDB front, raised	13546	10774	8935	7634	6682	5970	5295	4586	3653		
	LATERAL	SDB supported	13546	10184*	8043*	6637*	5627*	4803*	4174*	3686*	3297*		
		SDB raised	11522*	8664*	6933*	5770*	4921*	4211*	3665*	3241*	2900*		

The specified max. loading capacities in kilogrammes (kg) include a stability of 25% or are calculated at 87% of the hydraulic lifting power, as per ISO10567. These values are applicable at the tip of the arm with optimum positioning of the corresponding arm system. Weights of attached load carrying accessories (grab, magnet, load hook, etc.) are not included with the load carrying values. *Value limited due to excavator stability.

WORKING RANGES 160W

Work Areas Adjustable Boom, Base arm 1.87 m (C6.41) and Boom 3.62 m (C6.461)



STICK LENGTHS	2.15 m (D6.2)	2.65 m (D6.3)
A Max. cut-in height	10.30 meters	10.75 meters
B Max. pouring height	6.45 meters	7.95 meters
C Max. trench depth	5.35 meters	5.96 meters
D Max. vertical tapping depth	4.10 meters	4.70 meters
E Max. trench depth with 2.44-metre-wide base	5.20 meters	5.80 meters
F Max. reach	8.25 meters	9.75 meters
G Max. reach in the standing plane	8.10 meters	9.60 meters
Max. bucket digging force	130 kN	130 kN
Max. stick digging force	82 kN	72 kN

Unit is equipped with standard adjustable boom: base arm 1.87 m (C6.41) and boom 3.62 m (C6.461).

LIFTING CAPACITIES 160W

Lifting capacities Adjustable boom: Base arm 1.87 m (C6.41) and boom 3.62 m (C6.461)

Lifting capacities Adjustable boom: Base arm 1.87 m (C6.41) and boom 3.62 m (C6.461) with stick 2.15 m (D6.2). Max reach 8.70 m

Height	Undercarriage type		2.5 m	3.0 m	3.5 m	4.0 m	4.5 m	5.0 m	5.5 m	6.0 m	6.5 m	7.0 m	7.5 m	
	+ 6.0 m	FRONT	SDB rear, supported SDB front, raised			5406 5406	4969 4969	4628 4628	4357 4357	4140 4140	3971 3971	3863 3863		
	LATERAL	SDB supported SDB raised			5406 5406	4969 4969	4628 4628	4357 4357	4140 4028*	3961* 3551*	3468* 3064*			
+ 5.0 m	FRONT	SDB rear, supported SDB front, raised		6374 6374	6038 6038	5408 5408	4933 4933	4564 4564	4269 4269	4030 4030	3836 3836	3687 3687		
	LATERAL	SDB supported SDB raised		6374 6374	6038 6038	5408 5408	4933 4933	4564 4535*	4269 3985*	3932* 3147*	3520* 3093*	3093* 2721*		
+ 4.0 m	FRONT	SDB rear, supported SDB front, raised		5995 5995	6422 6422	6090 6090	5404 5404	4894 4894	4499 4499	4185 4185	3928 3928	3714 3714	3534 3534	
	LATERAL	SDB supported SDB raised		5995 5995	6422 6422	6090 5958*	5404 5101	4894 4441*	4357* 3920*	3883* 3501*	3494* 3153	3127* 2764*	2712* 2414*	
+ 3.0 m	FRONT	SDB rear, supported SDB front, raised		5905 5905	6297 6297	6379 6379	5905 5905	5251 5251	4755 4755	4365 4365	4047 4047	3781 3781	3547 3547	
	LATERAL	SDB supported SDB raised		5905 5905	6297 6297	6379 5793*	5905 4981*	5251 4357*	4755 3864*	4365 3464*	4047 3137*	3781 2757*	3547 2419*	
+ 2.0 m	FRONT	SDB rear, supported SDB front, raised		6965 6965	7272 7272	7119 7119	6762 6762	6229 6229	5506 5506	4947 4947	4502 4502	4137 4137	3827 3827	3549 3549
	LATERAL	SDB supported SDB raised		6965 6965	7272 7272	7119 6824*	6389* 5718*	5474* 4914	4787* 4308	4242* 3829	3810* 3446*	3460 3110*	3080* 2719*	2679* 2394*
+ 1.0 m	FRONT	SDB rear, supported SDB front, raised		7115 7115	8317 8317	7798 7798	7139 7139	6266 6266	5561 5561	4998 4998	4535 4535	4149 4149	3824 3824	3559 3559
	LATERAL	SDB supported SDB raised		7115 7115	8317 8317	7682 6836*	6383* 5710*	5467 4911*	4773* 4306	4240* 3839	3820* 3482*	3433* 3030*	3020* 2659*	2679* 2353*
+ 0 m	FRONT	SDB rear, supported SDB front, raised		9280 9280	9618 9618	8442 8442	7220 7220	6288 6288	5572 5572	5004 5004	4543 4543	4165 4165	3871 3871	3403 3403
	LATERAL	SDB supported SDB raised		9280 9280	9618 8593*	7759 6904*	6442* 5772*	5509* 4964*	4821 4334*	4301 3821*	3810* 3358*	3334* 2934*	2948* 2589*	2643* 2317
- 1.0 m	FRONT	SDB rear, supported SDB front, raised		12630 12630	10388 10388	8582 8582	7307 7307	6362 6362	5637 5637	5068 5068	4635 4635	4230 4230	3645 3645	
	LATERAL	SDB supported SDB raised		12630 11246*	9903* 8479*	7896* 6805*	6544* 5676*	5568* 4859*	4834* 4236*	4222* 3708*	3676* 3227*	3242* 2844*	2901* 2543*	
- 2.0 m	FRONT	SDB rear, supported SDB front, raised		13341 13341	10585 10585	8760 8760	7473 7473	6534 6534	5842 5842	5185 5185	4487 4487	3609 3609		
	LATERAL	SDB supported SDB raised		13341 11224*	9944* 8431*	7853* 6746*	6485* 5619*	5519* 4811*	4716* 4122*	4086* 3576*	3593* 3146*	3206* 2808*		

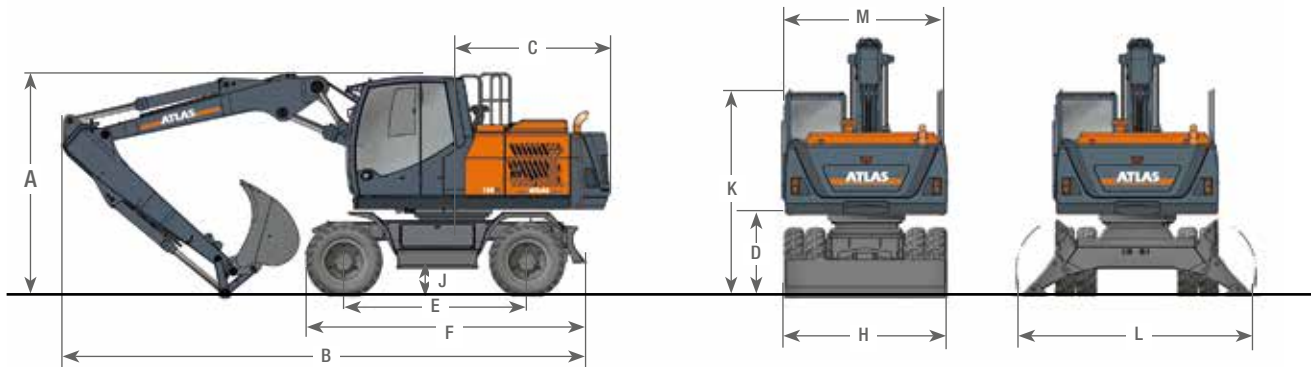
Lifting capacities Adjustable boom: Base arm 1.87 m (C6.41) and boom 3.62 m (C6.461) with stick 2.65 m (D6.3). Max reach 9.20 m

Height	Undercarriage type		2.5 m	3.0 m	3.5 m	4.0 m	4.5 m	5.0 m	5.5 m	6.0 m	6.5 m	7.0 m	7.5 m	8.0 m	
	+ 5.0 m	FRONT	SDB rear, supported SDB front, raised			4507 4507	4793 4793	4584 4584	4272 4272	4017 4017	3806 3806	3630 3630	3484 3484	3368 3368	
	LATERAL	SDB supported SDB raised			4507 4507	4793 4793	4584 4584	4272 4272	4017 4008*	3806 3553*	3530 3177*	3180* 2840*	2807* 2478*		
+ 4.0 m	FRONT	SDB rear, supported SDB front, raised		6203 6203	6432 6432	5638 5638	5059 5059	4617 4617	4268 4268	3986 3986	3752 3752	3556 3556	3388 3388	2888 2888	
	LATERAL	SDB supported SDB raised		6203 6203	6432 6432	5638 5638	5059 5059	4617 4456*	4268 3926*	3884* 3500*	3491* 3145*	3157* 2848*	2833* 2506*	2496* 2195*	
+ 3.0 m	FRONT	SDB rear, supported SDB front, raised		6023 6023	6391 6391	6400 6400	5598 5598	5008 5008	4555 4555	4196 4196	3902 3902	3656 3656	3445 3445	3252 3252	
	LATERAL	SDB supported SDB raised		6023 6023	6391 6391	6400 5818	5565* 4985*	4845* 4354*	4278* 3852*	3820* 3446	3445 3109	3132* 2834*	2826* 2499*	2499* 2199*	
+ 2.0 m	FRONT	SDB rear, supported SDB front, raised		7128 7128	7319 7319	7139 7139	6770 6770	6027 6027	5333 5333	4800 4800	4377 4377	4032 4032	3742 3742	3490 3490	3256 3256
	LATERAL	SDB supported SDB raised		7128 7128	7319 7319	7139 6782*	6357* 5688*	5445* 4887*	4757* 4277*	4213* 3797*	3776 3407*	3415* 3091*	3123* 2805*	2792* 2463*	2476* 2176*
+ 1.0 m	FRONT	SDB rear, supported SDB front, raised		8098 8098	7946 7946	7622 7622	7041 7041	6194 6194	5489 5489	4927 4927	4471 4471	4093 4093	3770 3770	3490 3490	3258 3258
	LATERAL	SDB supported SDB raised		8098 8098	7946 7946	7587 6740*	6314* 5647*	5404 4846*	4719* 4246*	4183* 3779	3758* 3403*	3416* 3115*	3095* 2734*	2736* 2408*	2437* 2137*
+ 0 m	FRONT	SDB rear, supported SDB front, raised		9371 9371	9069 9069	8182 8182	7100 7100	6190 6190	5487 5487	4927 4927	4470 4470	4090 4090	3772 3772	3522 3522	3129 3129
	LATERAL	SDB supported SDB raised		9371 9371	9069 8442*	7628 6786*	6337* 5673	5422* 4871*	4733* 4270*	4206 3811*	3794* 3414*	3414* 3011*	3007* 2646*	2672* 2345*	2401* 2103*
- 1.0 m	FRONT	SDB rear, supported SDB front, raised		11658 11658	10062 10062	8414 8414	7166 7166	6240 6240	5526 5526	4961 4961	4505 4505	4137 4137	3842 3842	3383 3383	
	LATERAL	SDB supported SDB raised		11658 11227*	9702* 8478*	7736* 6808*	6433* 5679*	5503* 4859*	4822* 4234*	4255* 3739*	3755* 3303*	3293* 2893*	2919* 2560*	2621* 2295*	
- 2.0 m	FRONT	SDB rear, supported SDB front, raised		13018 13018	10352 10352	8561 8561	7294 7294	6354 6354	5636 5636	5099 5099	4648 4648	4135 4135	3444 3444		
	LATERAL	SDB supported SDB raised		13018 11135*	9886* 8372*	7810* 6703*	6448* 5582*	5483* 4775*	4762* 4165*	4140* 3626*	3617* 3169*	3203* 2805*	2871* 2512*		
- 3.0 m	FRONT	SDB rear, supported SDB front, raised		13411 13411	10679 10679	8869 8869	7604 7604	6606 6606	5741 5741	4927 4927	4083 4083	2983 2983			
	LATERAL	SDB supported SDB raised		13411 11176*	9897* 8383*	7808* 6701*	6447* 5580*	5416* 4711*	4631* 4038*	4026* 3516*	3557* 3110*	2983 2786*			

The specified max. loading capacities in kilograms (kg) include a stability of 25% or are calculated at 87% of the hydraulic lifting power, as per ISO10567. These values are applicable at the tip of the arm with optimum positioning of the corresponding arm system. Weights of attached load carrying accessories (grab, magnet, load hook, etc.) are not included with the load carrying values. *Value limited due to excavator stability.

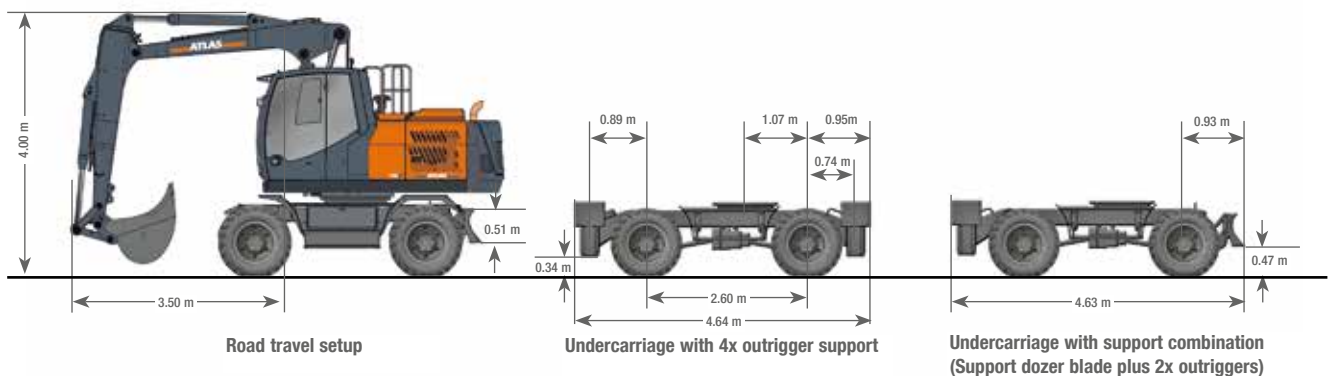
DIMENSIONS 160W

Dimensions



A TRANSPORT HEIGHT (with bucket)		C TAIL SWING RADIUS2.24 m	
Adjustable boom* with stick 2.15 m	3.15 m	D CLEARANCE UNDER COUNTERWEIGHT	1.27 m
Adjustable boom* with stick 2.65 m	3.15 m	E WHEEL BASE	2.60 m
Monoblock boom 4.32 m with stick 2.15 m.....	3.15 m	F UNDERCARRIAGE LENGTH	4.08 m
Monoblock boom 4.32 m with stick 2.65 m.....	3.15 m	H DOZER BLADE WIDTH	2.54 m
B TRANSPORT LENGTH		J GROUND CLEARANCE	0.45 m
Adjustable boom* with stick 2.15 m	7.76 m	K OVERALL HEIGHT OF CAB	3.15 m
Adjustable boom* with stick 2.65 m	8.90 m	L OUTRIGGERS WIDTH (extended)	3.50 m
Monoblock boom 4.32 m with stick 2.15 m.....	7.60 m	M OVERALL WIDTH OF SUPERSTRUCTURE	2.49 m
Monoblock boom 4.32 m with stick 2.65 m.....	7.60 m		

* Adjustable boom: Base arm 1.87 m (C6.41) and boom 3.10 m (C6.46)



WERK GANDERKESEE

Atlas GmbH
Atlasstraße 6
D-27777 Ganderkesee,
Germany

Tel.: +49 (0) 4222 954 0
Fax: +49 (0) 4222 954 220
E-mail: info@atlasgmbh.com
www.atlasgmbh.com



WERK VECHTA

Atlas GmbH
Theodor-Heuss-Str. 3
D-49377 Vechta
Germany

T: +49 (0) 4441 954 0
F: +49 (0) 4441 954 299
E-mail: info@atlasgmbh.com
www.atlasgmbh.com



WERK DELMENHORST

Atlas GmbH
Stedinger Straße 324
D-27751 Delmenhorst
Germany

T: +49 (0) 4221 49 10
F: +49 (0) 4221 49 14 43
E-mail: info@atlasgmbh.com
www.atlasgmbh.com

ATLAS CRANES UK LTD NATIONAL SALES & SERVICE FACILITY

Wharfedale Road,
Euroway Trading Est.
Bradford, England BD4 6SL
United Kingdom

T: +44 8444 99 66 88
F: +44 1274 65 37 85
E-mail: atlasuk@atlasgmbh.com
www.atlas-cranes.co.uk
www.atlasgmbh.com

ATLAS SEIT 1919 **Wheeled Excavator**
160W



www.atlasgmbh.com

ATLAS GmbH

BAGGER

Atlasstraße 6

D-27777 Ganderkesee, Germany

T: +49 (0) 4222 954 0

Fax: +49 (0) 4222 954 220

info@atlasgmbh.com