

ATLAS KOMPAKT

Excavator AC 40UB



Operating Weight	4.13 t (rubber track)/4.22 t (steel track)
Engine Power	23.8 kW/2300 rpm
Engine Brand	KUBOTA
Standard Bucket Capacity	0.11 m ³
Max. Digging Depth	2.85 m

Excavator AC 40UB

Parameter

ENGINE

Brand	KUBOTA
Model	D1803-M-DI-E3B-SWD-1
Type	3-cylinder 4-stroke water-cooled
Displacement	1.826 L
Power	23.8 kW/2300 rpm

DIMENSIONS

Counterweight Clearance	567 mm
Tail Swing Radius	860 mm
Shipping Length	4923 mm
Shipping Width	1740 mm
Shipping Height	2540 mm

ELECTRIC SYSTEM

Nominal Voltage	12 V
Batteries	63 Ah
Alternator	12 V-55 A
Starter	12 V-2.0 kW

WORKING RANGES

Max. Cutting Height	5002 mm
Max. Loading Height	3502 mm
Max. Digging Depth	3080 mm
Max. Vertical Wall Digging Depth	2600 mm
Max. Digging Reach	5441 mm
Max. Reach at Ground Level	5302 mm
Bucket Digging Force	27.4 kN
Stick Digging Force	19.8 kN
Ground Pressure	36 kPa
Swing Speed	9 rpm

DRIVE

Max. Travel Speed (2nd/1st)	4.3/2.7 km/h
Gradeability	30°
Max. Traction	33.5 kN

UNDERCARRIAGE

Undercarriage Width	1740 mm
Shoe Width	300 mm
Length to Center of Rollers	1650 mm
Track Length	2143 mm
Track Height	522 mm

CAPACITY

Fuel Tank	40 L
Hydraulic Oil Tank	43 L

BULLDOZING BOARD

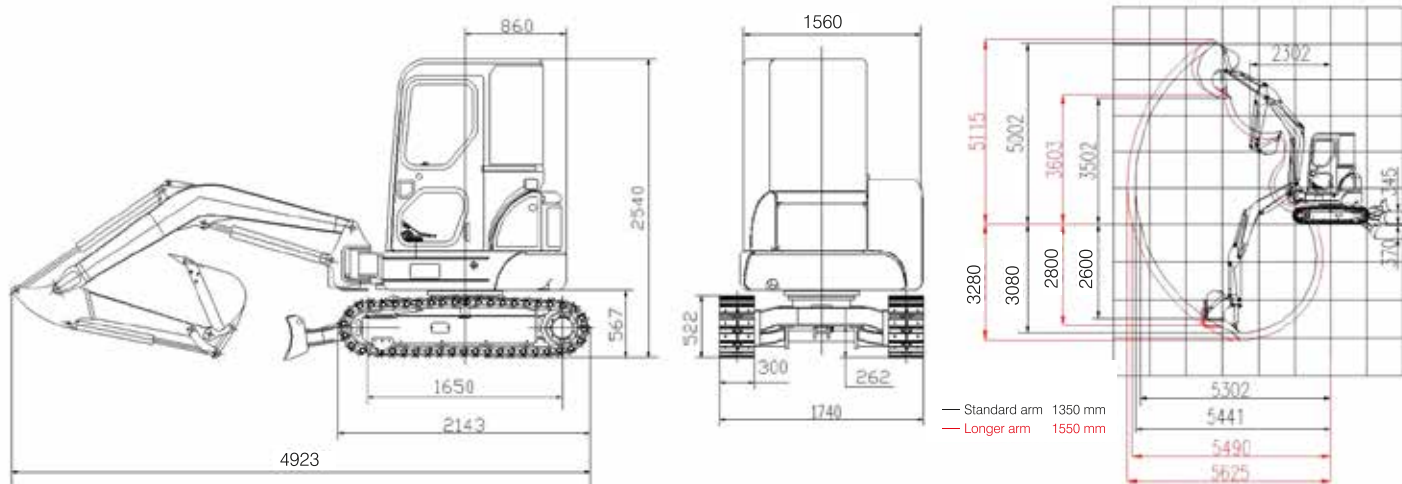
independent moving, controlled by the gear shift lever	
Length X Width	1740X349 mm
Max. Lifting Height	345 mm
Max. Cutting Depth	370 mm

HYDRAULIC SYSTEM

Main Pumps	
Type	2 variable displacement pumps, 1 gear pump
Displacement	2x39+27 L/min
Working Pressure	23.5/20 MPa

Excavator AC 40UB

Working Ranges

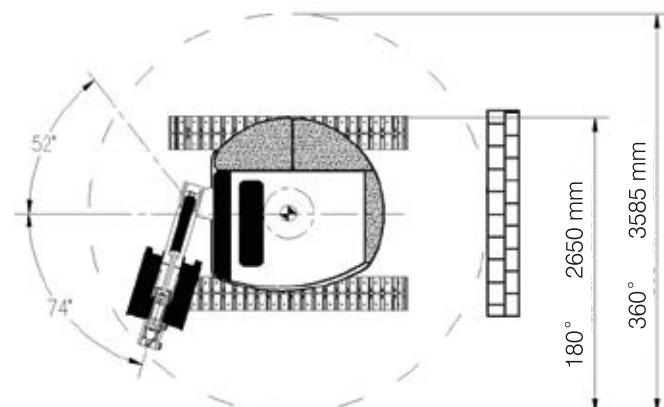


Load Capacity (standard arm: 1.35 m)

B(m)	A(m)	MAX		4.0 m		3.0 m		2.0 m	
		Front(kg)	Side(kg)	Front(kg)	Side(kg)	Front(kg)	Side(kg)	Front(kg)	Side(kg)
3.0		669.90*	457.50	665.55*	761.25	970.05*	810.00	—	—
2.0		712.40*	390.00	891.75*	753.15	1035.30*	843.75	1196.25*	1125.00
1.0		765.60*	375.00	887.40*	483.75	1335.45*	753.75	1922.70*	1029.25
0.0		783.00*	393.75	1035.30*	472.50	1183.20*	705.00	1583.40*	1065.00
-1.0		783.00*	435.00	835.20*	487.50	1039.65*	652.50	1583.40*	978.75
-2.0		506.40*	501.60*	—	—	501.60*	501.60*	554.30*	544.70*

Notes:

- 1) Load with * is limited by hydraulic capacity and based on ISO 10567. Rated loads do not exceed 87% of hydraulic capacity.
- 2) Load without * is limited by tipping load and based on ISO 10567. Rated loads do not exceed 75% of tipping load.



ATLAS KOMPAKT GMBH
 Stedinger Straße 324
 27751 Delmenhorst
 Germany
WWW.ATLAS-KOMPAKT.COM